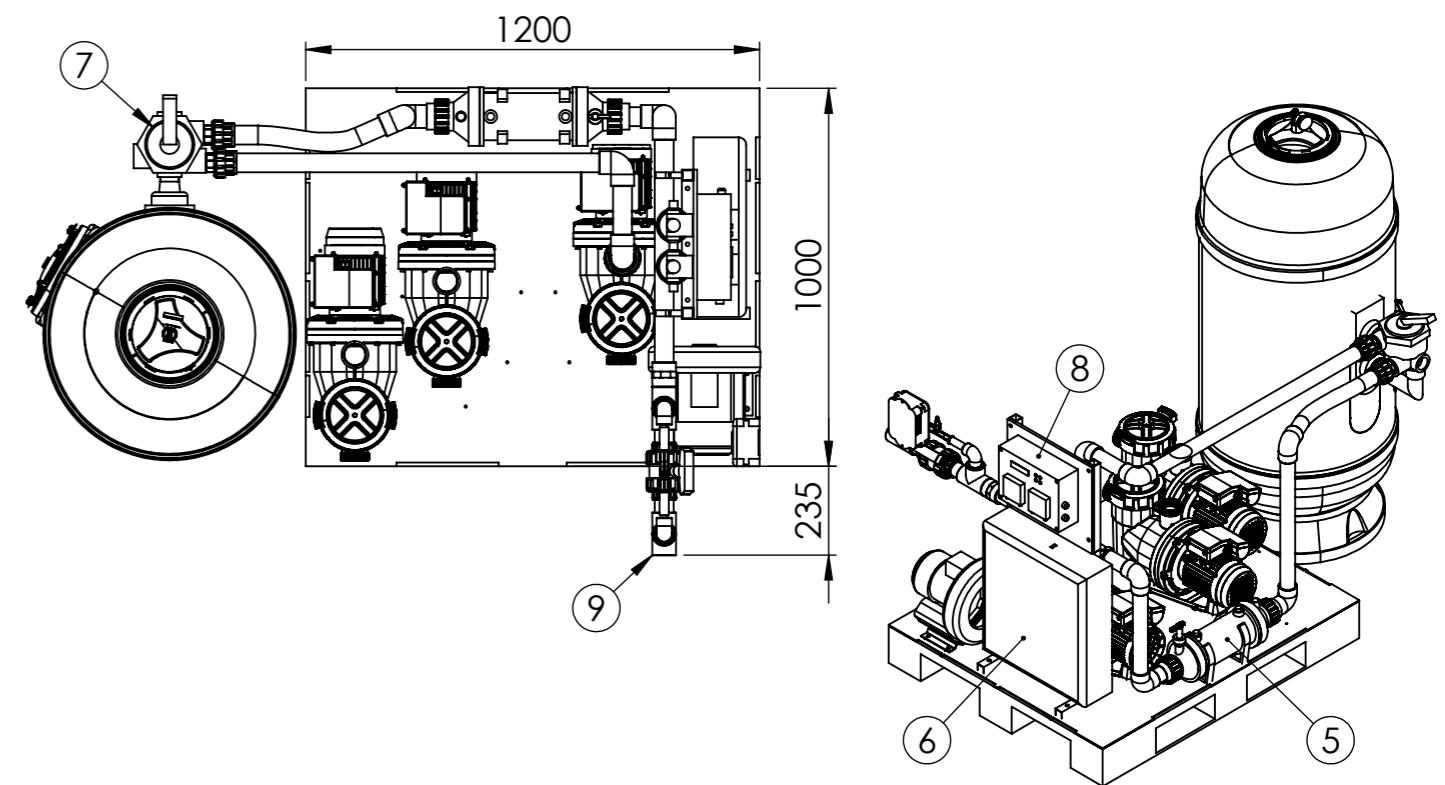
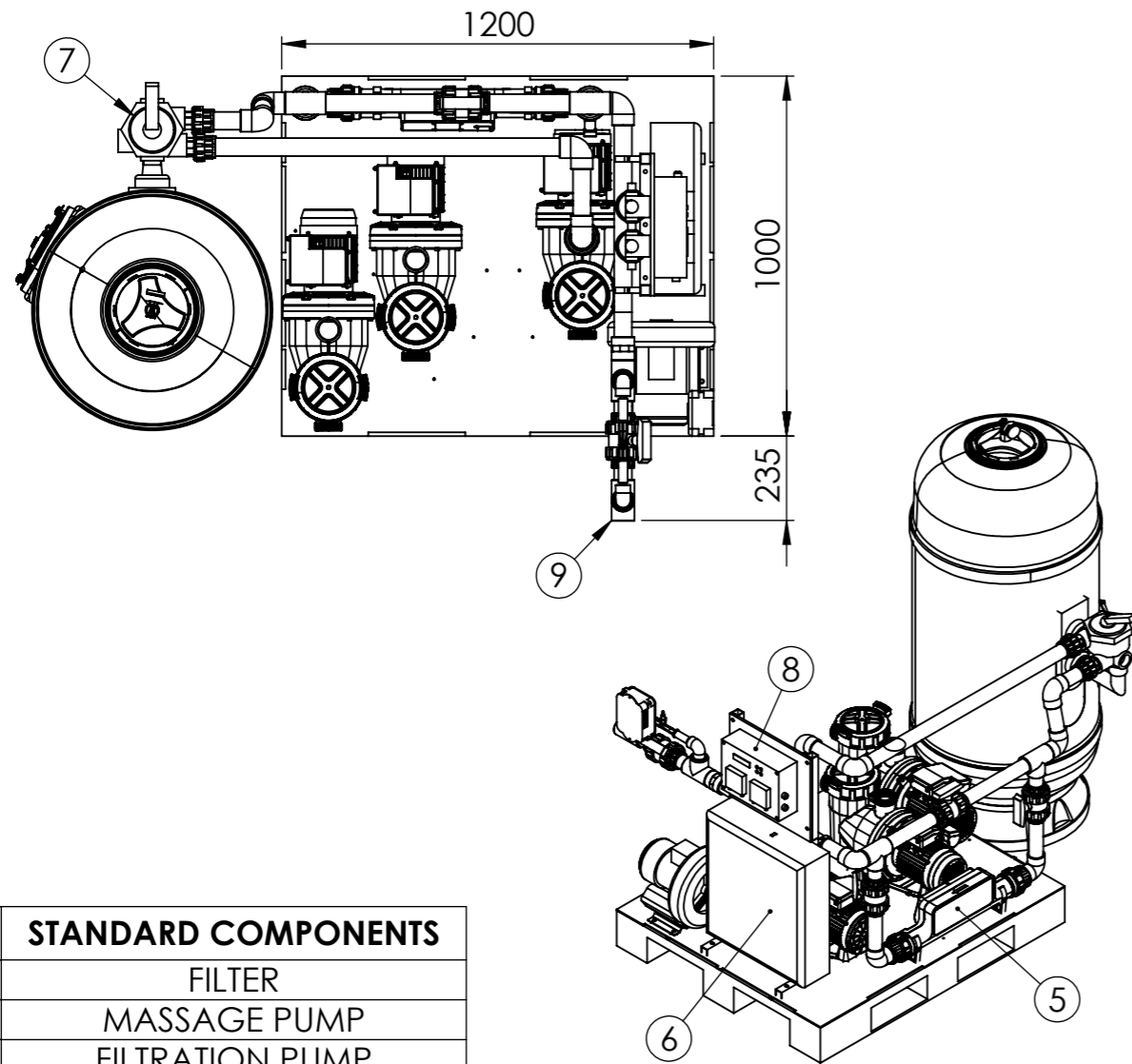
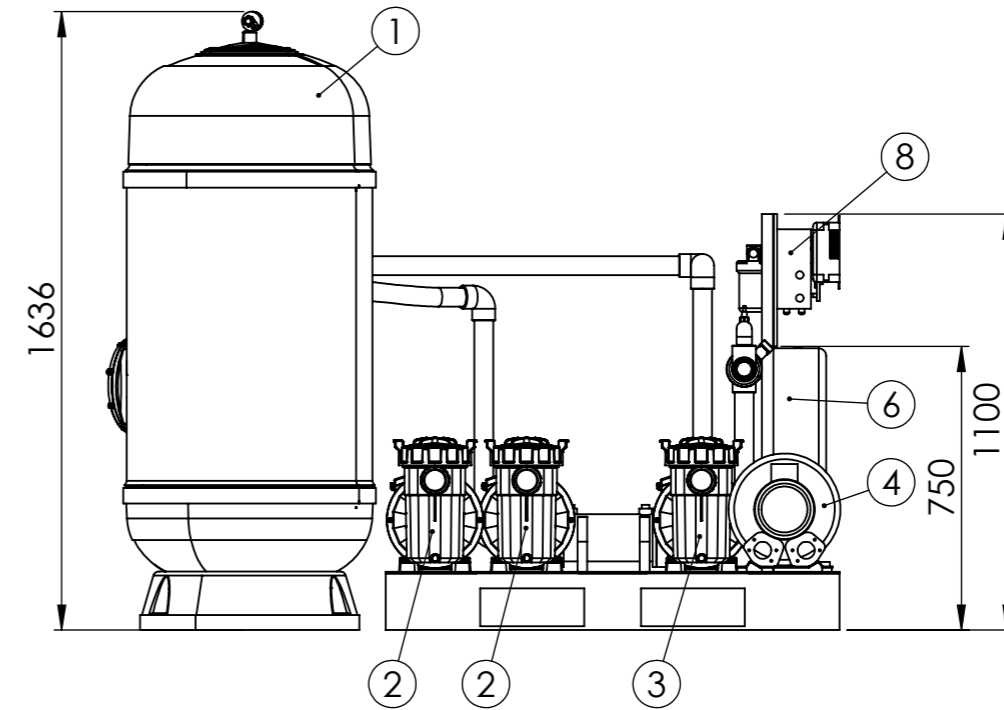
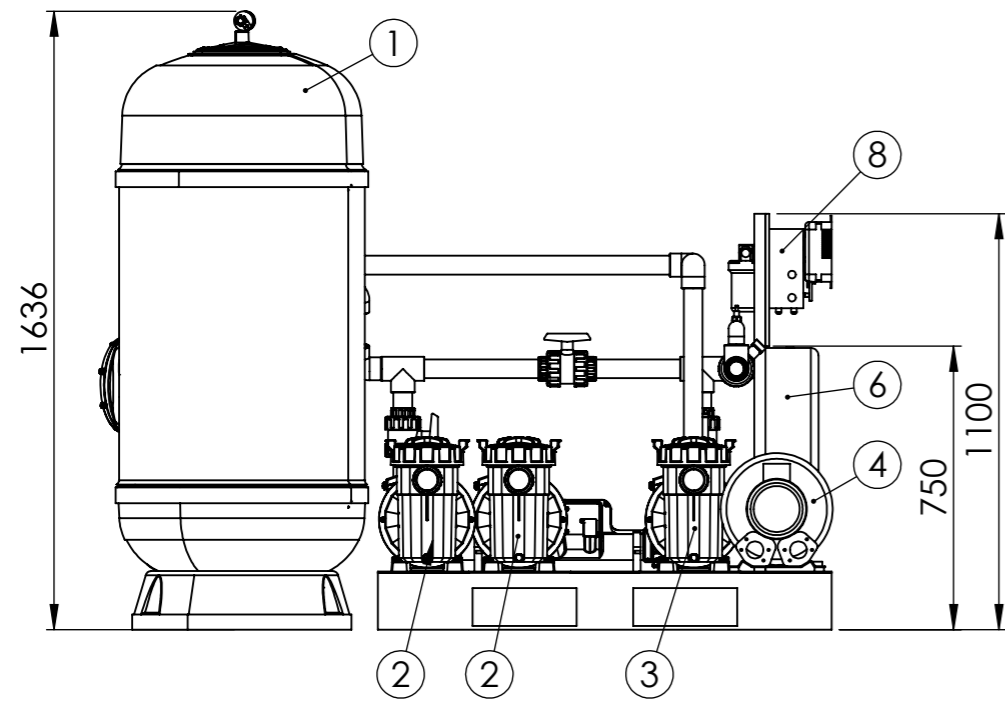


WITH ELECTRIC HEATER 6KW

WITH HEAT EXCHANGER 20KW



STANDARD COMPONENTS	
1	FILTER
2	MASSAGE PUMP
3	FILTRATION PUMP
4	BLOWER PUMP
5	HEATER
6	ELECTRIC BOX
7	SELECTOR VALVE

OPTIONAL COMPONENTS	
8	DOSIFICATION PH + CL
9	OZONE COMPACT KIT

According to our policy of continuous improvement, dimensions, features or components of this product can be partially or completely changed without prior notice.

It's Customer responsibility to verify that this is the last version of the drawing

Connection pipes of: pump to filter and filter to heater are not included.

To fill the sand filter it's necessary to leave free 60cm on the top of the filter.

Change No.	Date	Name	Modification
05	25/05/2020	A.Miquel	Update components 2020.
04	20/09/2017	Ricard S.	Update
03	05/07/2016	I.Pozo	Update
02	05/05/2014	I. Pozo	Update
01	10/02/2012	J.Jorba	Replace disinfection system

Remarks Dimensions in mm. General Tolerances +/- 10mm			COMMERCIAL DRAWING		
Drawn	13/05/2010	J.Jorba			
Checked				16412	05
Scale	1:10	General Tolerance			
Sheet	1/4	DIN 7168 ISO 2768g			