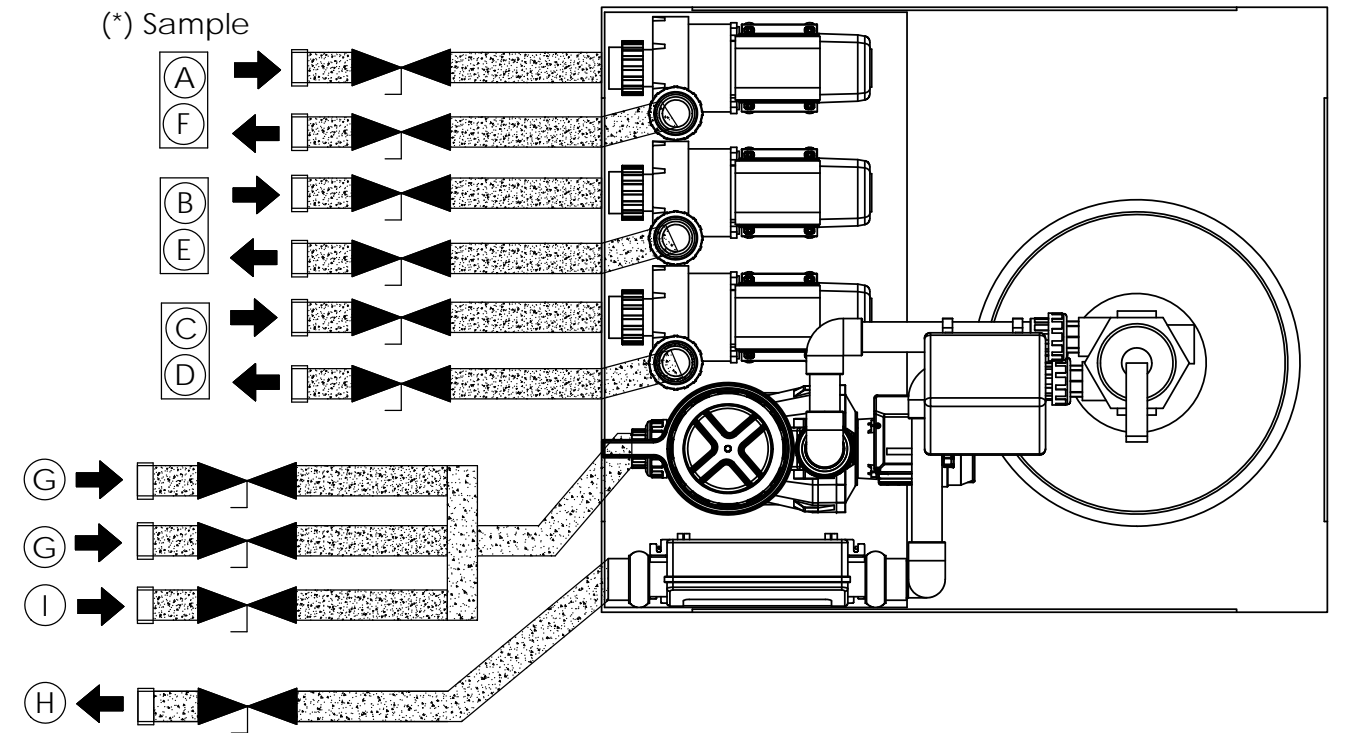
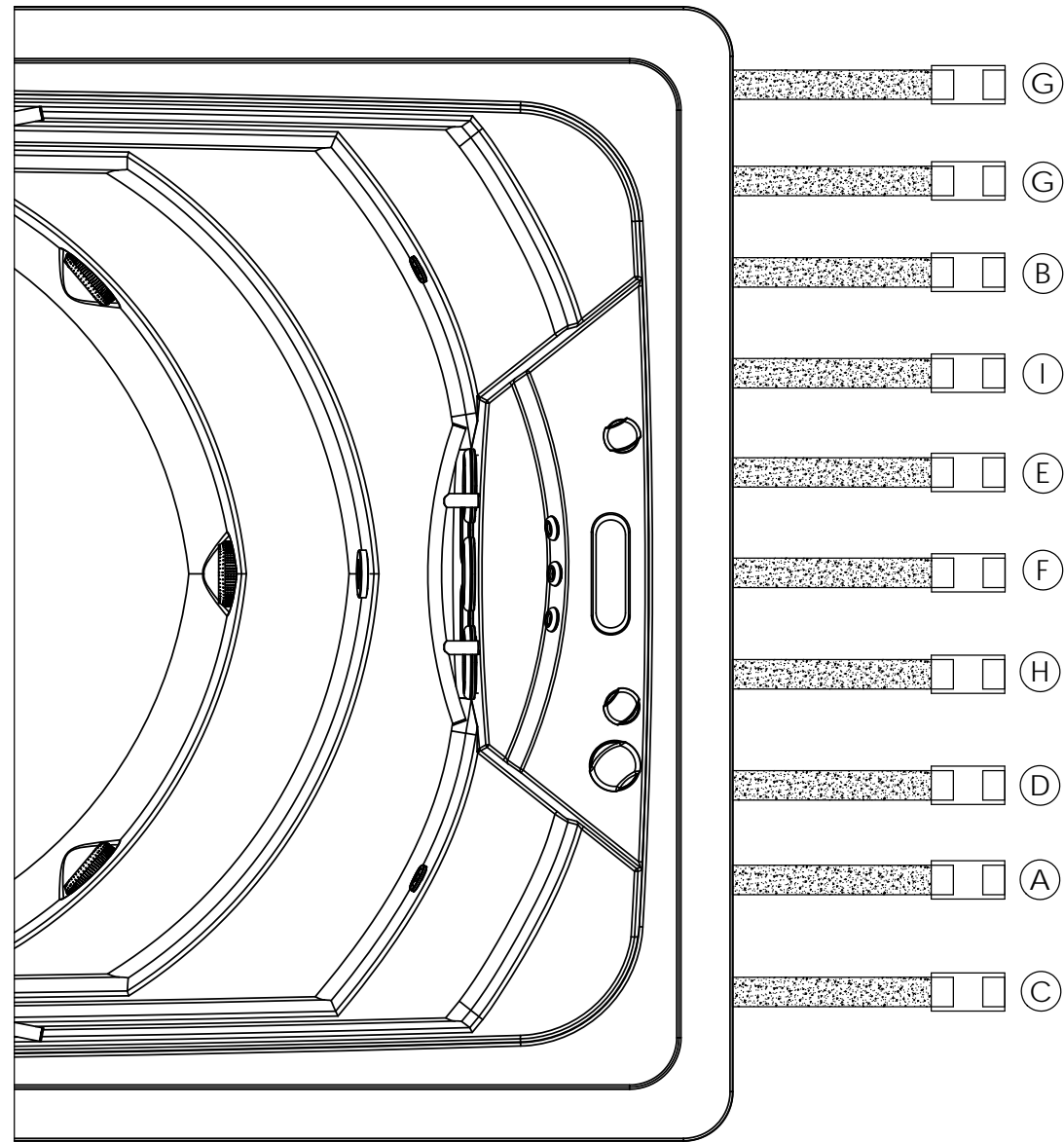


According to our policy of continuous improvement, dimensions, features or components of this product can be partially or completely changed without prior notice.  
It's Customer responsibility to verify that this is the last version of the drawing

To fill the sand filter it's necessary to leave free 60cm on the top of the filter.

01	07/10/2015	I.Pozo	Modification Filtration Return (H)
00	30/09/2015	I.Pozo	Creation
Change No.	Date	Name	Modification
Remarks			COMMERCIAL DRAWING
Dimensions in mm. General Tolerances +/- 10mm			
Drawn	30/09/2015	I.Pozo	Part Number <b>64972</b>
Checked		V.Saiz	
Scale 1:10	General Tolerance DIN 7168 ISO 2768g		Rev. <b>01</b>
Sheet 1/2			
			First Angle Projection





A	Suction-Water Massage Pump	Ø 63 FEMALE SOCKET
B	Suction-Water Massage Pump	Ø 63 FEMALE SOCKET
C	Suction-Water Massage Pump	Ø 63 FEMALE SOCKET
D	Return-Water Massage Pump	Ø 63 FEMALE SOCKET
E	Return-Water Massage Pump	Ø 63 FEMALE SOCKET
F	Return-Water Massage Pump	Ø 63 FEMALE SOCKET
G	Suction/Return-Filtration Pump Bottom Spa	Ø 50 FEMALE SOCKET
H	Return-Filtration Pump Inlets	Ø 50 FEMALE SOCKET
I	Filter Pump Suction Vacuum Cleaner	Ø 50 FEMALE SOCKET

(\*) Massage Pump can be installed on each Massage Circuits specified, depending on the layout of the installation

- Circuits:
- (A) (Suction) - (F) (Return)
  - (B) (Suction) - (E) (Return)
  - (C) (Suction) - (D) (Return)

According to our policy of continuous improvement, dimensions, features or components of this product can be partially or completely changed without prior notice.

It's Customer responsibility to verify that this is the last version of the drawing

Connection pipes of: pump to filter and filter to heater are not included.

To fill the sand filter it's necessary to leave free 60cm on the top of the filter.

01	07/10/2015	I.Pozo	Modification Filtration Return (H)
00	30/09/2015	I.Pozo	Creation
Change No.	Date	Name	Modification
Remarks			COMMERCIAL DRAWING
Dimensions in mm. General Tolerances +/- 10mm			
Drawn	30/09/2015	I.Pozo	Part Number <b>64972</b>
Checked		V.Saiz	
Scale 1:15	General Tolerance DIN 7168 ISO 2768g		Rev. <b>01</b>
Sheet 2/2			