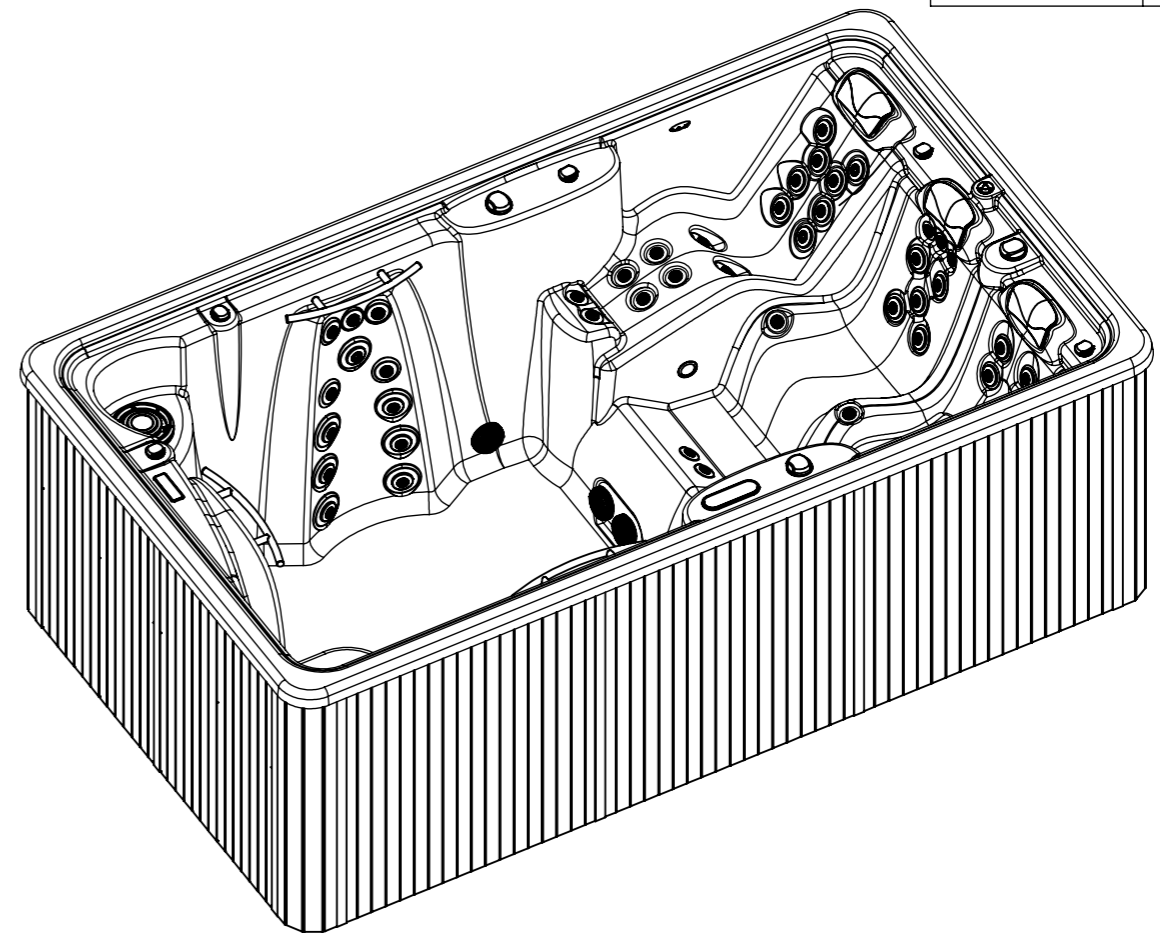
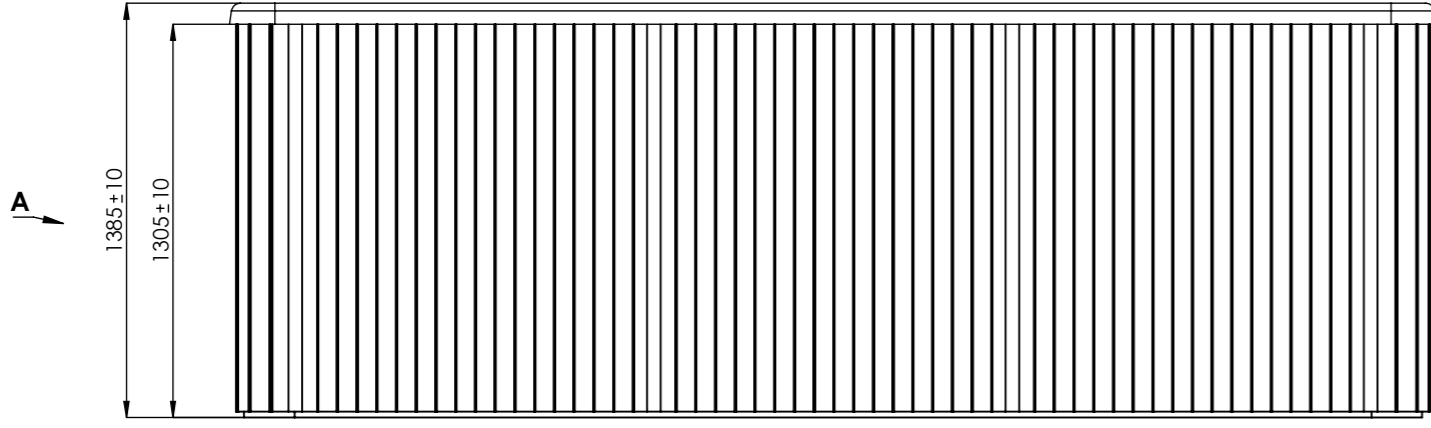
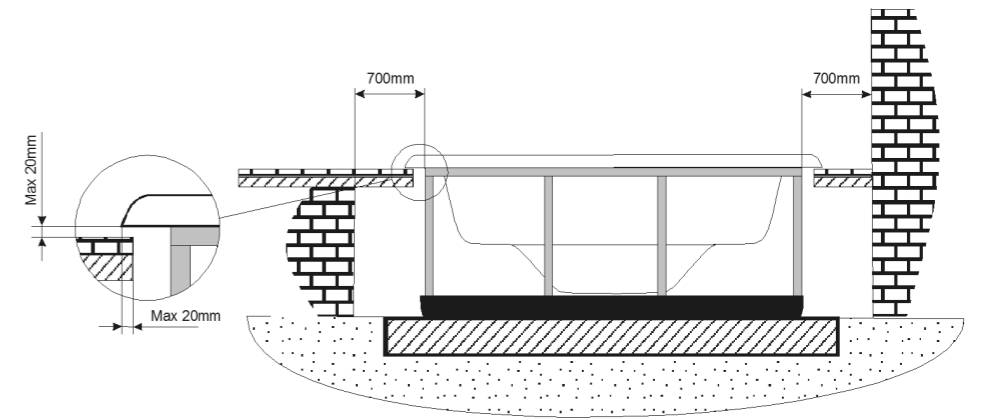
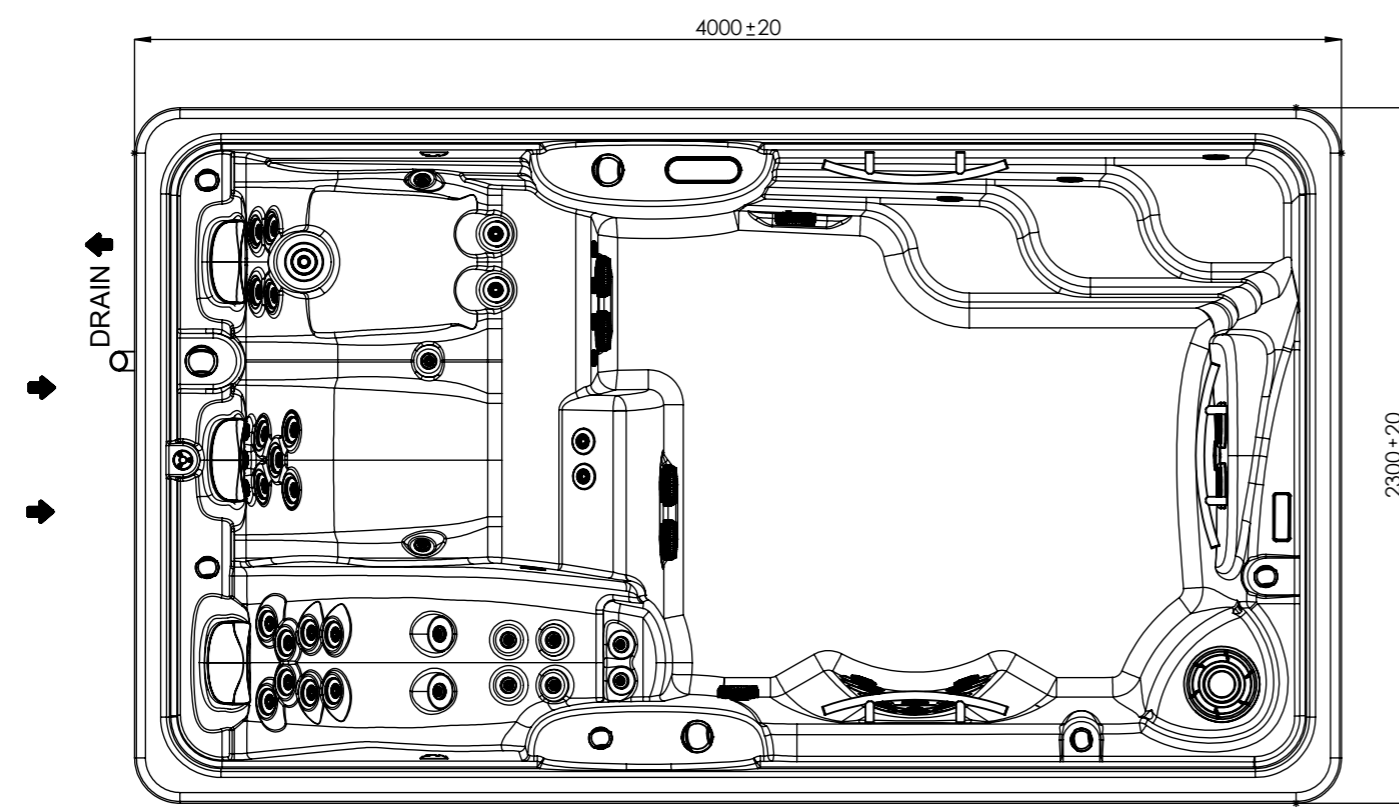


General specifications	
Spa weight (empty)	1.150 Kg
Spa weight (full)	7.150 Kg



**WARNING:**  
It's essential to keep a minimum clearance access of **700mm** all around.

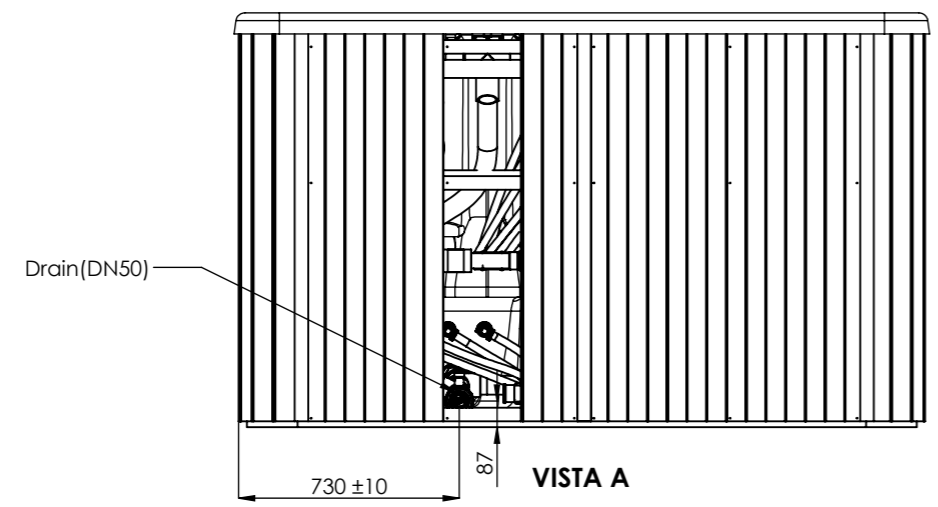
ELECTRICAL BOARD CONNECTIONS ACCESS



VALID FROM SERIAL NUMBER: **53806**  
VALIDO A PARTIR DEL NÚMERO DE SERIE: **53806**

According to our policy of continuous improvement, dimensions, features or components of this product can be partially or completely changed without prior notice.  
It's Customer responsibility to verify that this is the last version of the drawing

06	04/12/2018	D.Castillo	Spa weight added.
05	22/10/2018	A.Miquel	Control panels and covers spare codes added.
04	02/07/2018	A.Miquel	Jets changed (CMP)
03	20/12/2017	Ricard S.	Changing of electronic parts references.
02	10/05/2017	O. Faura	Changing of electronic parts references.
Change No.	Date	Name	Modification



Remarks		COMMERCIAL		Color RAL			
Dimensions in mm. General Tolerances +/- 10mm							
Drawn	13/09/2016	I.Pozo		Part Number	67203		
Checked	06/12/2016	V.Saiz				Rev.	06
Scale 1:25	General Tolerance						
Sheet 1/3	DIN 7168 ISO 2768g						