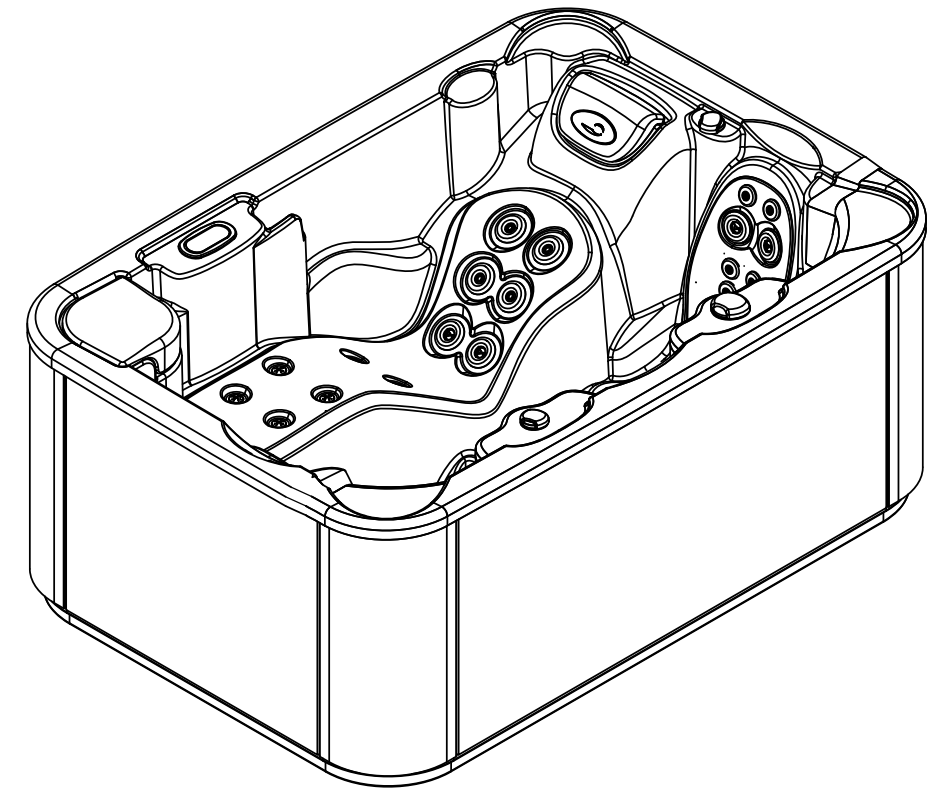


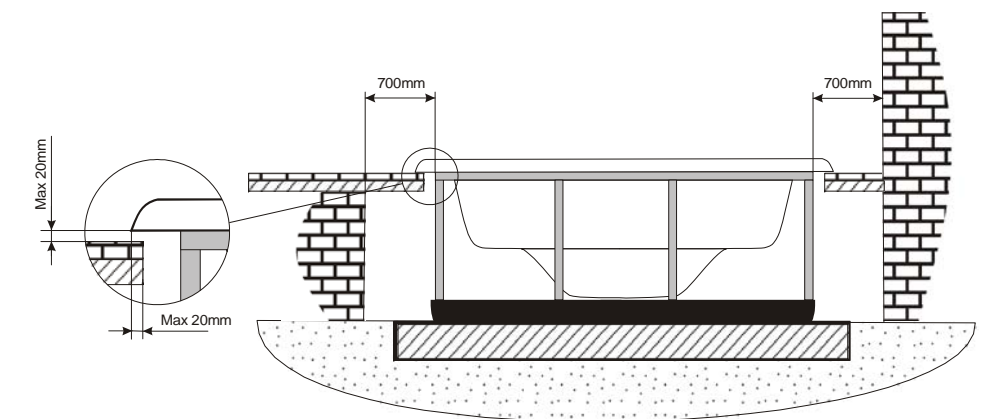
ELECTRICAL BOARD CONNECTIONS ACCESS



Inground option

WARNING:

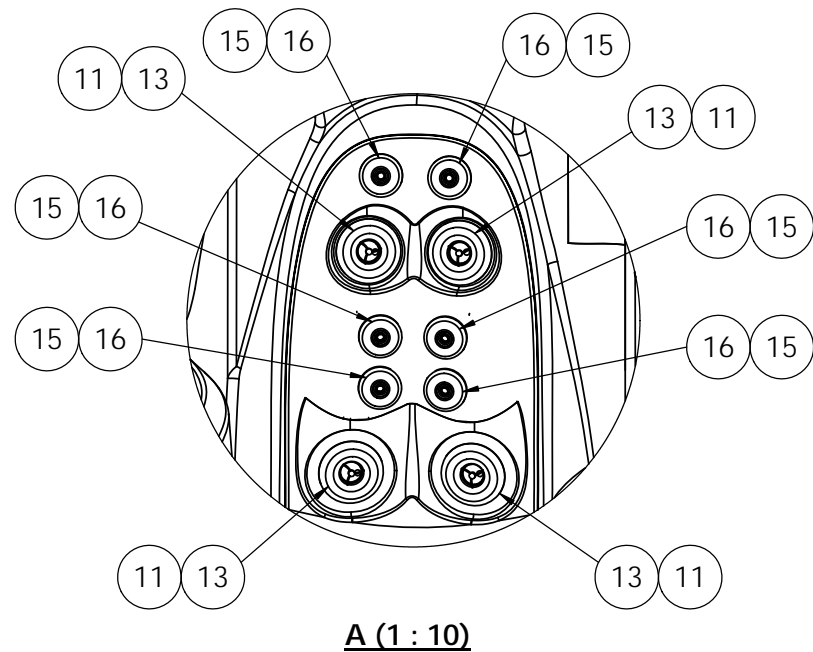
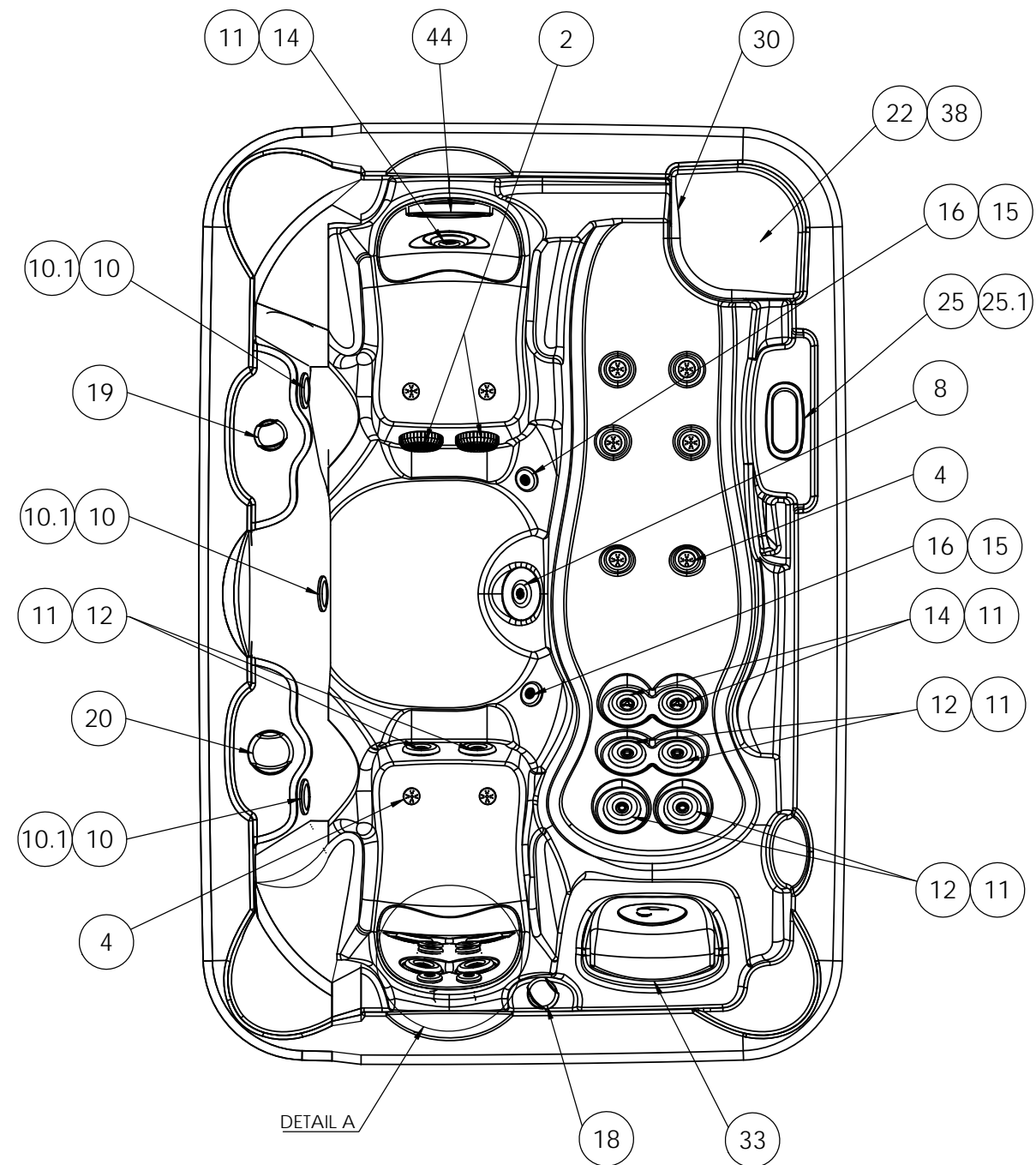
It's essential to keep a minimum clearance access of **700mm** all around.



According to our policy of continuous improvement, dimensions, features or components of this product can be partially or completely changed without prior notice. It's Customer responsibility to verify that this is the last version of the drawing

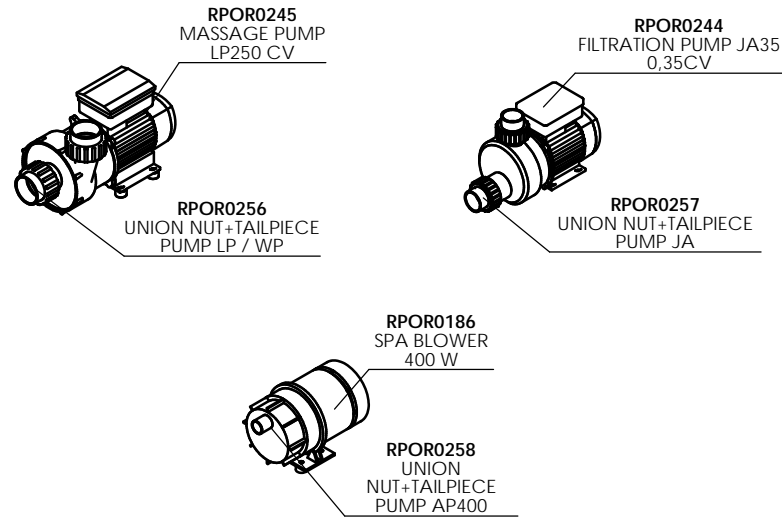
Change No.	Date	Name	Modification
02	12/11/2014	I.Pozo	Change scale and new spare template
01	09/06/2014	I.Pozo	New templates
00	09/10/2012	X.Codina	Drawing creation

Remarks Dimensions in mm. General Tolerances +/- 10mm			COMMERCIAL		
Drawn	09/10/2014	X.Codina		Part Number 56914	Rev. 02
Checked	-	I.Nicolas			
Scale	1:15	General Tolerance DIN 7168 ISO 2768g			
Sheet	1/2				
First Angle Projection					

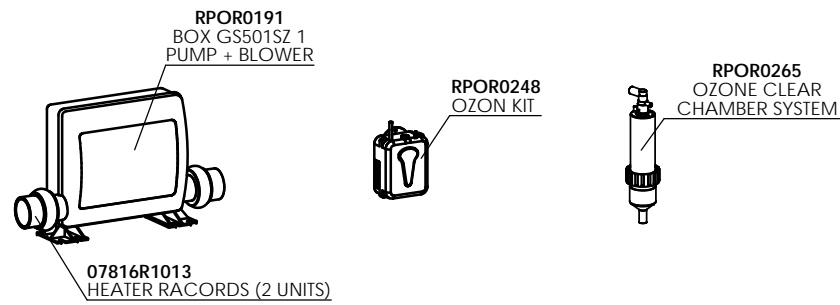


A (1 : 10)

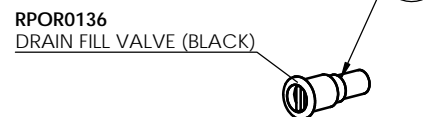
PUMPS SPARE CODES



HEATER AND DESINFECTION SPARE CODES



RPOR0101 - TEMPERATURE PROBES GS I GL (x 2)
 RPOR0105 - HEATER 3 KW GS I GL
 RPOR0197 - DIGITAL PANEL GS501SZ



ACCESSORIES			
Position Num.	Part Nº SPARE	Description SPARE	Quant.
2	RPOR0225	GREY SPA DRAIN 2" ADAPTOR SOCKET D.50	2
4	REMP0046	WHITE-STAINLESS STEEL AIR NOZZLE	10
8	RPOR0003	GREY DRAIN SET - BODY+COVER+ASSEMBLY	1
10	RPOR0239	SPOTLIGHT LED SET RD	3
10.1	RPOR0240	MASTER LED LIGHT	3
11	RPOR0236	JET BODY SET RD 3"	13
12	RPOR0231	FRONTAL JET 3" STAINLESS STEEL DIRECTIONAL	6
13	RPOR0232	FRONTAL JET 3" STAINLESS STEEL 1 JET ROTO	4
14	RPOR0233	FRONTAL JET 3" STAINLESS STEEL TWIN ROTO	3
15	RPOR0235	JET BODY SET RD 2"	8
16	RPOR0230	FRONTAL JET 2" STAINLESS STEEL DIRECTIONAL	8
18	RPOR0261	VENTURY CONTROLLER SS	1
19	RPOR0263	VALVE ON-OFF 1" SS	1
20	RPOR0262	3 WAYS SS VALVE 2"	1
22	RPOR0238	SKIMERFILTER RD LOW PROFILE	1
25	RPOR0241	CONTROL PANEL VL600S	1
25.1	RPOR0243	COVER DIGITAL PANEL VL600S MASSAGE + BLOWER	1
30	RPOR0156	SKIMFILTER COVER	1
33	RPOR0094	BIG HEADREST - PACIFIC-ANTARTIC-EVOLUTION	1
38	RPOR0247	FILTER CARTRIDGE SKIMFILTER RD	1
44	RPOR0278	SS 7" WATERFALL	1
49	RPOR0136	DRAIN FILL VALVE (BLACK)	1

According to our policy of continuous improvement, dimensions, features or components of this product can be partially or completely changed without prior notice. It's Customer responsibility to verify that this is the last version of the drawing

Change No.	Date	Name	Modification
02	12/11/2014	I.Pozo	Change scale and new spare template
01	09/06/2014	I.Pozo	New templates
00	09/10/2012	X.Codina	Drawing creation

Remarks Dimensions in mm. General Tolerances +/- 10mm			SPARE PARTS DRAWING		
Drawn	09/10/2014	X.Codina			
Checked	-	I.Nicolas	IBERSPA	56914	02
Scale	1:15	General Tolerance			
Sheet	2/2	DIN 7168 ISO 2768g			

Property of IBERSPA S.L. Avda. Pla d'Urgell 2-8 25200 Cervera, Spain. Don't use without permission. Keep this information confidential and use it solely for the permitted purpose.