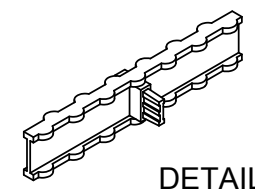
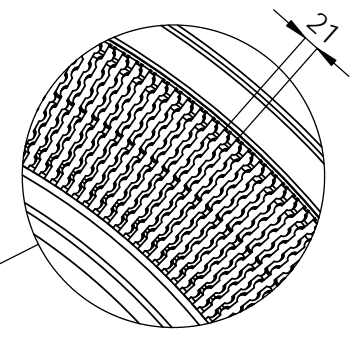
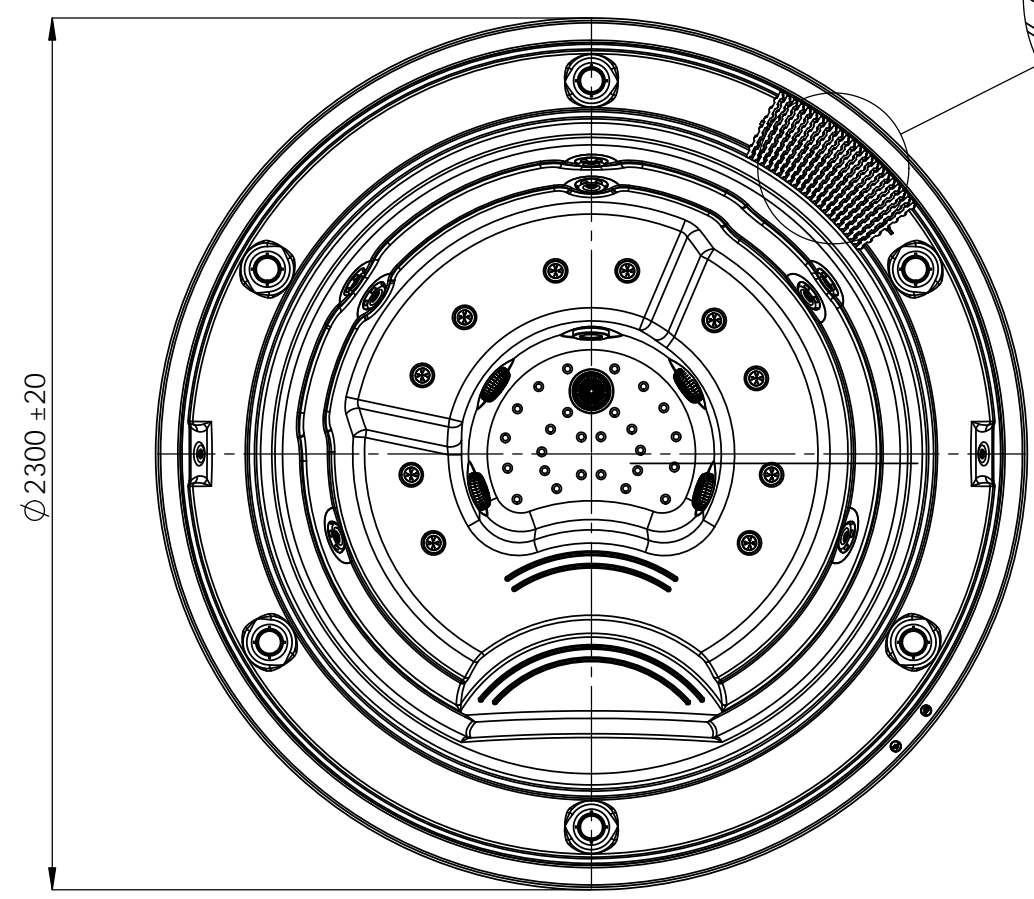
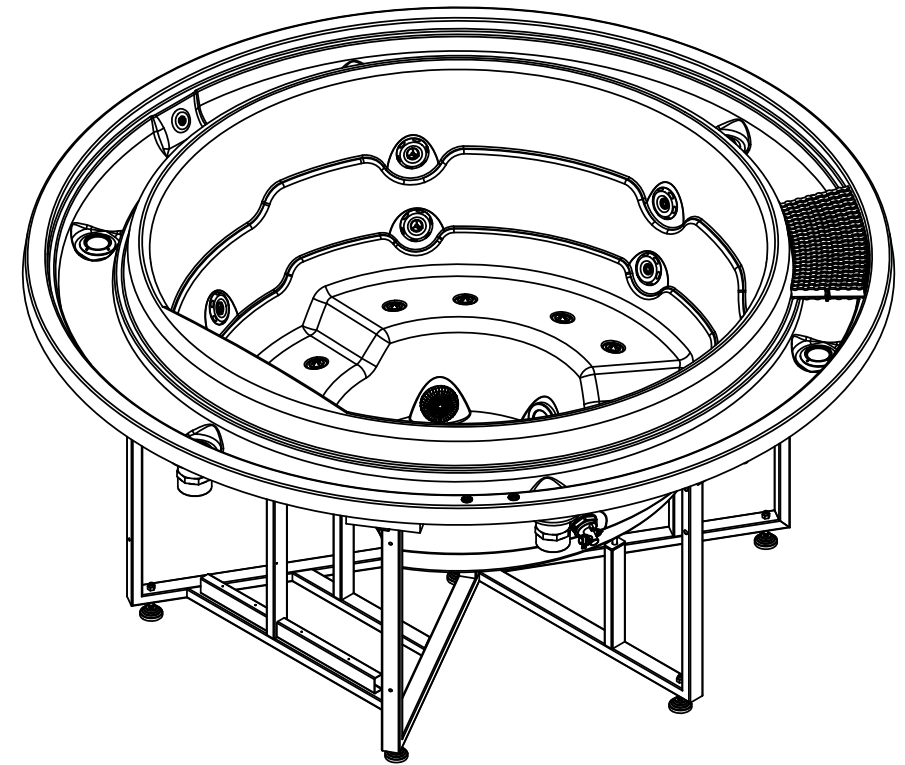
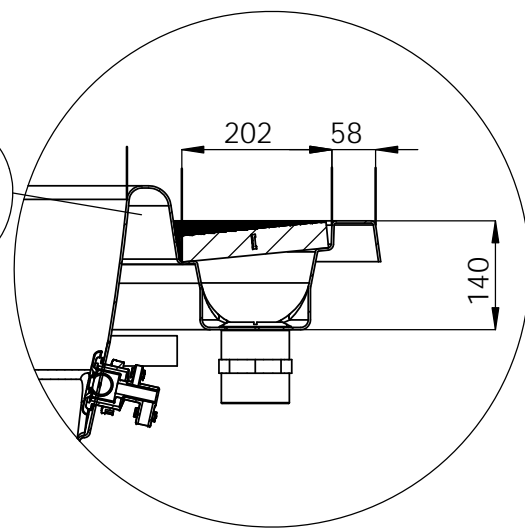
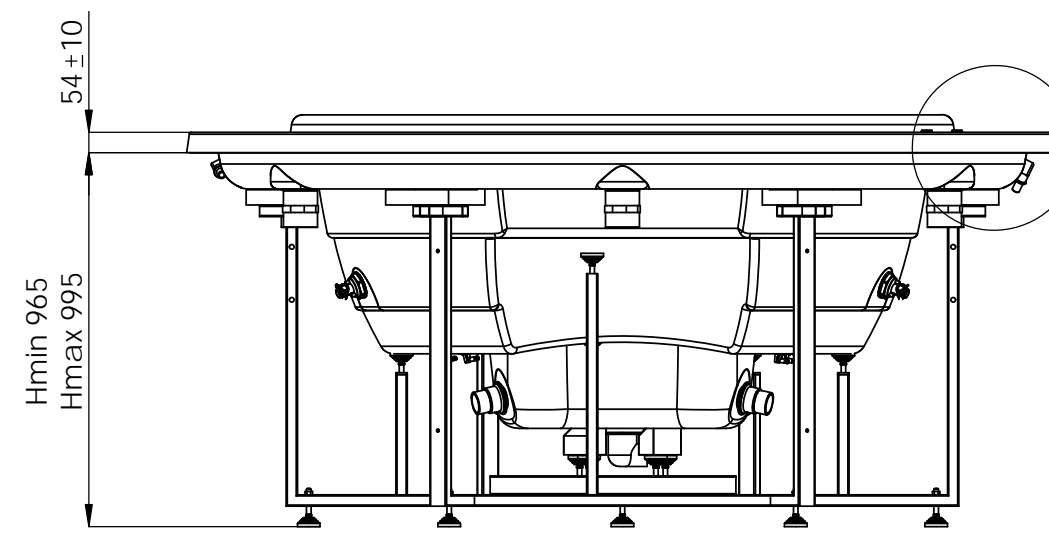


General specifications	
Spa weight (dry)	175 Kg
Spa weight (filled)	1295 Kg
Package dimension	1200x2420x2480mm
Package weight	266 Kg



DETAIL GRID  
SCALE 1:10

↑ ↑  
HYDRAULIC CONNECTIONS ACCESS

According to our policy of continuous improvement, dimensions, features or components of this product can be partially or completely changed without prior notice. It's Customer responsibility to verify that this is the last version of the drawing

06	12/06/14	I.Pozo	New spare template
05	17/09/13	X.Codina	New Templates
04	22/01/13	I.Pozo	Drawing Updated
03	01/03/10	M.Freixes	Change definitions of numbers
02	29/09/09	M.Freixes	Update to new standards
Change No.	Date	Name	Modification

Remarks  
Dimensions in mm. General Tolerances +/- 10mm

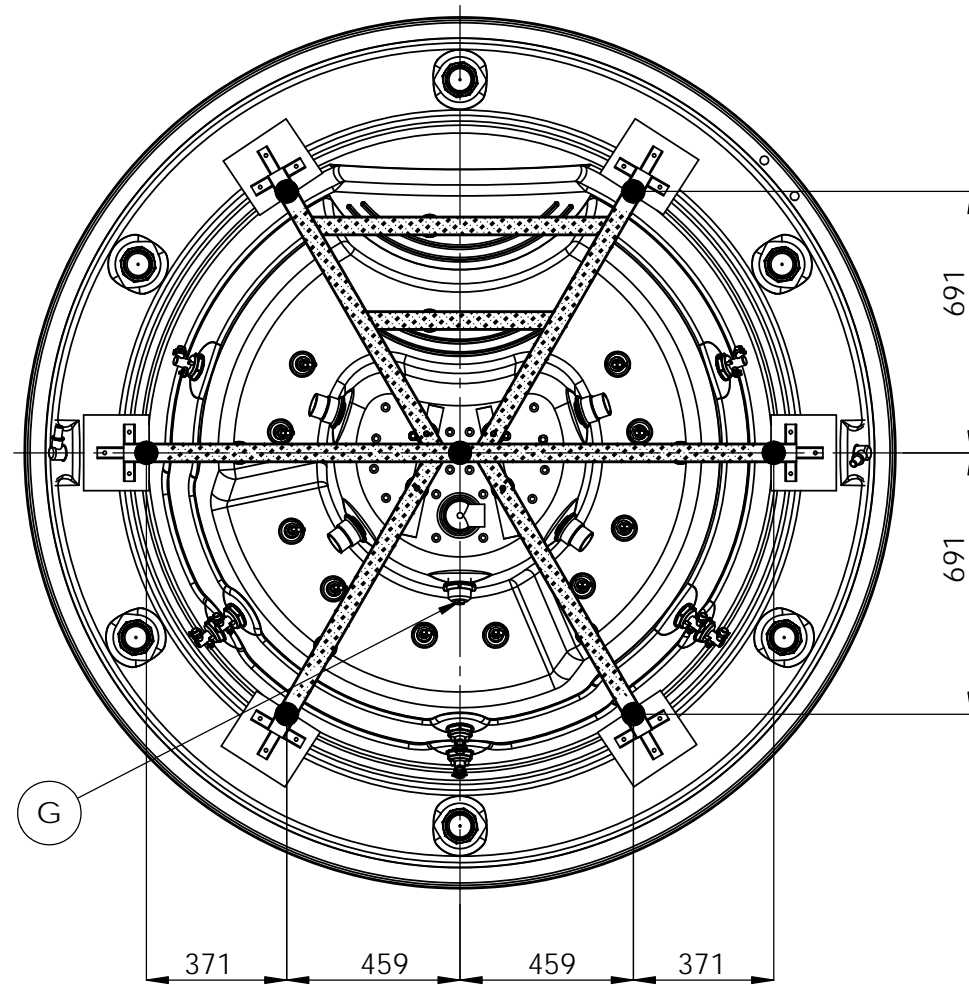
Drawn	25-05-09	M.Baraut
Checked	25-05-09	A.Deu
Scale 1:20	General Tolerance DIN 7168 ISO 2768g	
Sheet 1/3		



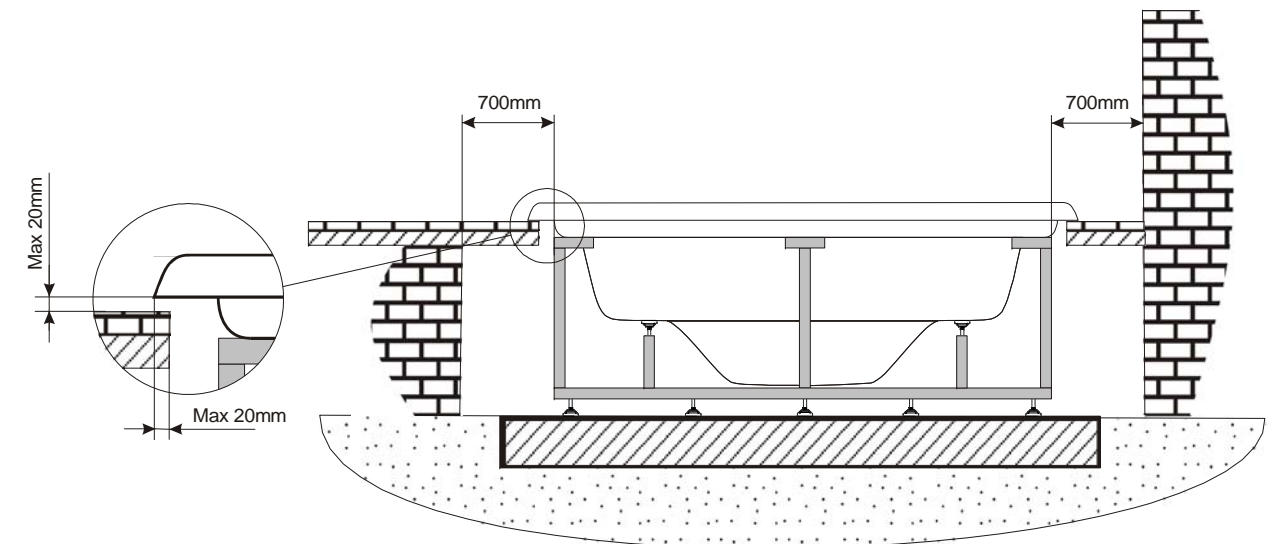
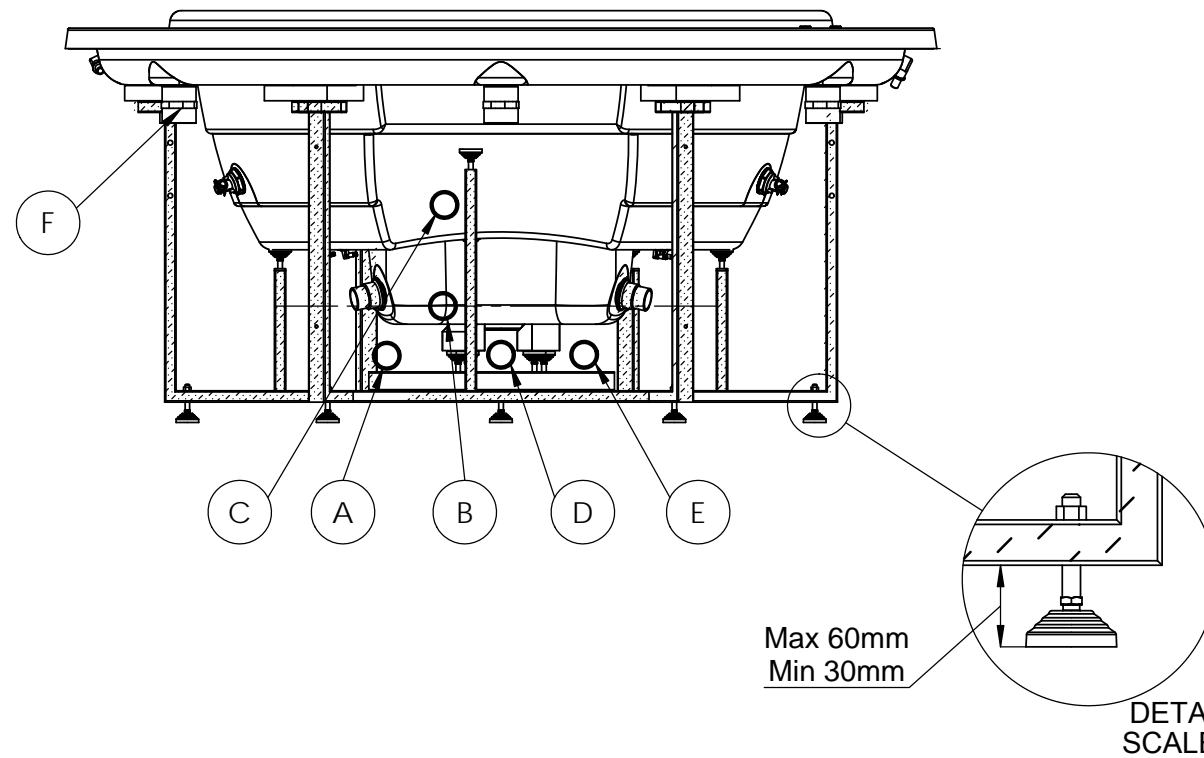
COMMERCIAL

Part Number	Rev.	First Angle Projection
45215	06	

A	Suction-Water Massage Pump 1	2"BSP FEMALE THREAD
B	Return-Water Massage Pump 1	2"BSP FEMALE THREAD
C	Return-Air Massage	2"BSP FEMALE THREAD
D	Return-Filtration Pump (Bottom Drain)	2"BSP FEMALE THREAD
E	Suction-Filtration Pump	2"BSP FEMALE THREAD
F	Overflow Drains	Ø75 SOLVENT SOCKET
G	Light (Halogen )	1 un.



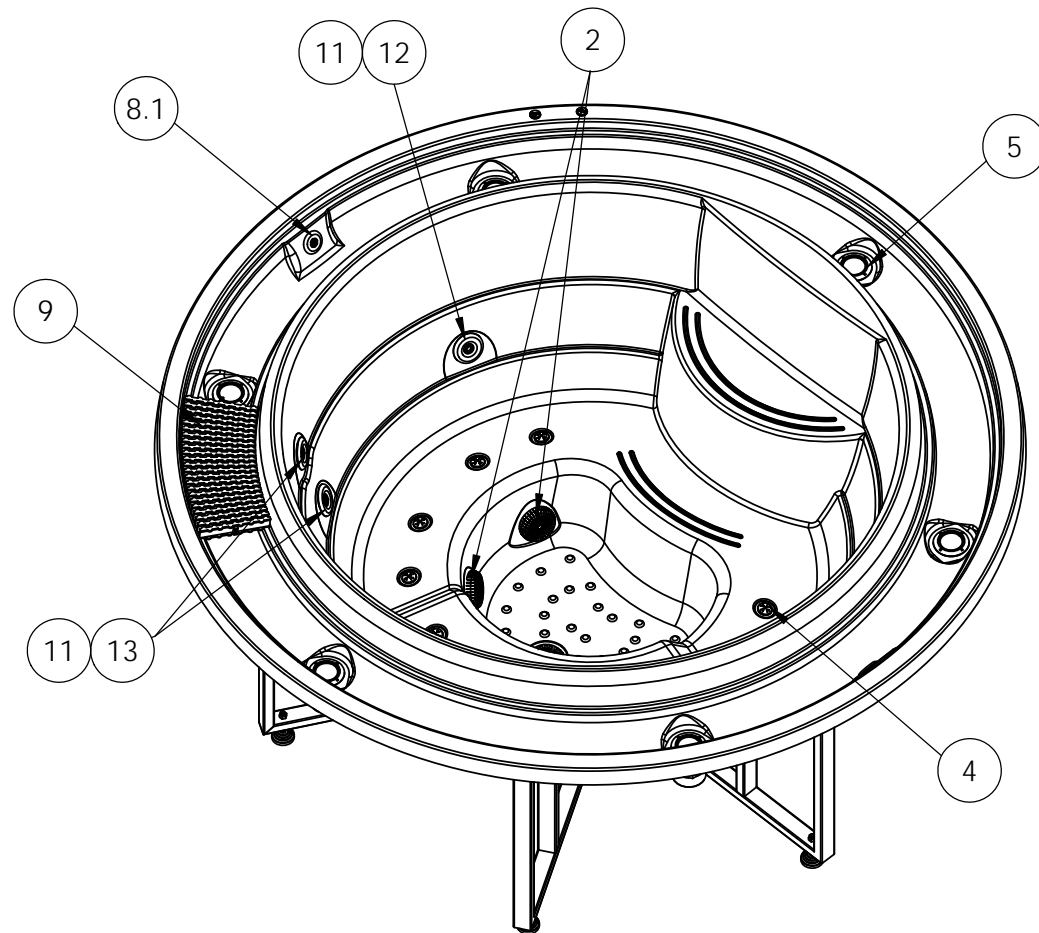
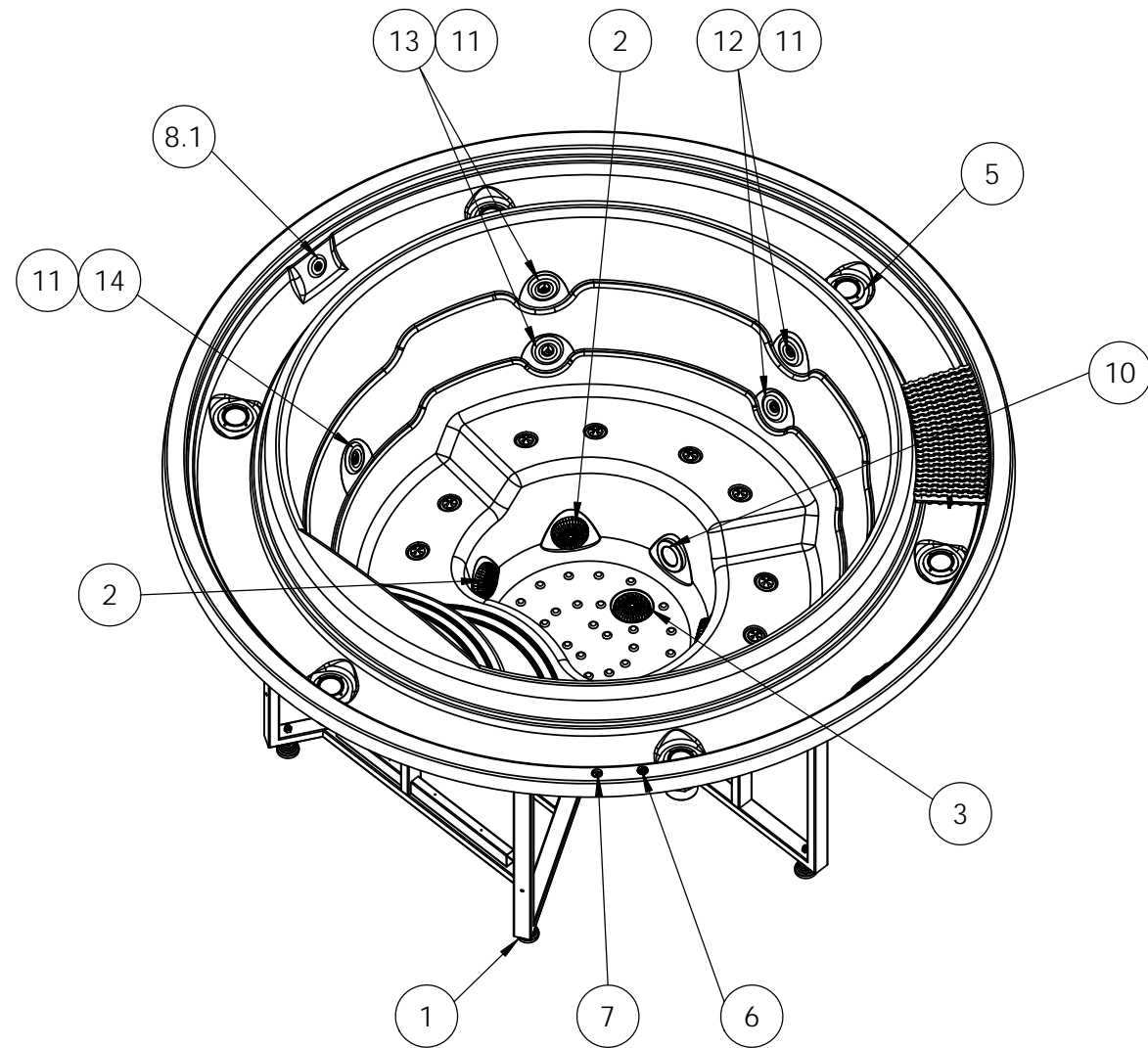
**WARNING:**  
It's essential to keep a minimum clearance access of **700mm** all around.  
Minimum depth of spa hole **980 mm**.



According to our policy of continuous improvement, dimensions, features or components of this product can be partially or completely changed without prior notice.  
It's Customer responsibility to verify that this is the last version of the drawing

06	12/06/14	I.Pozo	New spare template
05	17/09/13	X.Codina	New Templates
04	22/01/13	I.Pozo	Drawing Updated
03	01/03/10	M.Freixes	Change definitions of numbers
02	29/09/09	M.Freixes	Update to new standards
Change No.	Date	Name	Modification

Remarks Dimensions in mm. General Tolerances +/- 10mm			<b>COMMERCIAL</b>			
Drawn	25-05-09	M.Baraut		Part Number	Rev.	First Angle Projection 
Checked	25-05-09	A.Deu		45215	06	
Scale 1:20 Sheet 2/3	General Tolerance DIN 7168 ISO 2768g					
<small>Property of IBERSPA S.L. Avda. Pla d'Urgell 2-8 25200 Cervera, Spain. Don't use without permission. Keep this information confidential and use it solely for the permitted purpose.</small>						



STAINLESS STEEL JETS + WHITE LIGHT			
Position Num.	Part Nº SPARE	Description SPARE	Quant.
1	303325R	SPA SUPPORT	17
2	RPOR0223	WHITE SPA DRAIN 2" ADAPTOR SOCKET D.50	4
3	RPOR0224	WHITE SPA DRAIN 2" ADAPTOR ELBOW 90 D.50	1
4	REMP0046	WHITE-STAINLESS STEEL AIR NOZZLE	10
5	REMP0051	WHITE SPA DRAIN 2 1/2"	6
6	REMP0034	DIGITAL BUTTON IP68 ALUM. AIR	1
7	REMP0033	DIGITAL BUTTON IP68 ALUM. WATER	1
8.1	RPOR0001	WHITE DRAIN SET 1/2"	2
9	REMP0032	DIN CURVED GRATING WIDTH 195 mm	334
10	RPOR0024	LIGHT SPAS SI800	1
11	RPOR0236	JET BODY SET RD 3"	8
12	RPOR0231	FRONTAL JET 3" STAINLESS STEEL DIRECTIONAL	3
13	RPOR0232	FRONTAL JET 3" STAINLESS STEEL 1 JET ROTO	4
14	RPOR0233	FRONTAL JET 3" STAINLESS STEEL TWIN ROTO	1

WHITE JETS + WHITE LIGHT			
Position Num.	Part Nº SPARE	Description SPARE	Quant.
1	303325R	SPA SUPPORT	17
2	RPOR0223	WHITE SPA DRAIN 2" ADAPTOR SOCKET D.50	4
3	RPOR0224	WHITE SPA DRAIN 2" ADAPTOR ELBOW 90 D.50	1
4	REMP0029	KIT STORM AIR NOZZLE	10
5	REMP0051	WHITE SPA DRAIN 2 1/2"	6
6	REMP0034	DIGITAL BUTTON IP68 ALUM. AIR	1
7	REMP0033	DIGITAL BUTTON IP68 ALUM. WATER	1
8.1	RPOR0001	WHITE DRAIN SET 1/2"	2
9	REMP0032	DIN CURVED GRATING WIDTH 195 mm	334
10	RPOR0024	LIGHT SPAS SI800	1
11	RPOR0236	JET BODY SET RD 3"	8
12	REMP0058	FRONTAL JET DIRECCIONAL 3"	3
13	REMP0059	FRONTAL JET ROT 1 CHORRO 3"	4
14	REMP0060	FRONTAL JET ROT 2 CHORRO 3"	1

STAINLESS STEEL JETS + COLOUR LIGHT			
Position Num.	Part Nº SPARE	Description SPARE	Quant.
1	303325R	SPA SUPPORT	17
2	RPOR0223	WHITE SPA DRAIN 2" ADAPTOR SOCKET D.50	4
3	RPOR0224	WHITE SPA DRAIN 2" ADAPTOR ELBOW 90 D.50	1
4	REMP0046	WHITE-STAINLESS STEEL AIR NOZZLE	10
5	REMP0051	WHITE SPA DRAIN 2 1/2"	6
6	REMP0034	DIGITAL BUTTON IP68 ALUM. AIR	1
7	REMP0033	DIGITAL BUTTON IP68 ALUM. WATER	1
8.1	RPOR0001	WHITE DRAIN SET 1/2"	2
9	REMP0032	DIN CURVED GRATING WIDTH 195 mm	334
10	RCOM0063	HIGH INTENSITY COLOURS LED SPOTLIGHTS + STEEL ESCUTCHEON SPOTLIGHT	1
11	RPOR0236	JET BODY SET RD 3"	8
12	RPOR0231	FRONTAL JET 3" STAINLESS STEEL DIRECTIONAL	3
13	RPOR0232	FRONTAL JET 3" STAINLESS STEEL 1 JET ROTO	4
14	RPOR0233	FRONTAL JET 3" STAINLESS STEEL TWIN ROTO	1

WHITE JETS + COLOUR LIGHT			
Position Num.	Part Nº SPARE	Description SPARE	Quant.
1	303325R	SPA SUPPORT	17
2	RPOR0223	WHITE SPA DRAIN 2" ADAPTOR SOCKET D.50	4
3	RPOR0224	WHITE SPA DRAIN 2" ADAPTOR ELBOW 90 D.50	1
4	REMP0029	KIT STORM AIR NOZZLE	10
5	REMP0051	WHITE SPA DRAIN 2 1/2"	6
6	REMP0034	DIGITAL BUTTON IP68 ALUM. AIR	1
7	REMP0033	DIGITAL BUTTON IP68 ALUM. WATER	1
8.1	RPOR0001	WHITE DRAIN SET 1/2"	2
9	REMP0032	DIN CURVED GRATING WIDTH 195 mm	334
10	RCOM0061	HIGH INTENSITY COLOURS LED SPOTLIGHTS + WITHE ESCUTCHEON SPOTLIGHT	1
11	RPOR0236	JET BODY SET RD 3"	8
12	REMP0058	FRONTAL JET DIRECCIONAL 3"	3
13	REMP0059	FRONTAL JET ROT 1 CHORRO 3"	4
14	REMP0060	FRONTAL JET ROT 2 CHORRO 3"	1

According to our policy of continuous improvement, dimensions, features or components of this product can be partially or completely changed without prior notice. It's Customer responsibility to verify that this is the last version of the drawing

Change No.	Date	Name	Modification
06	12/06/14	I.Pozo	New spare template
05	17/09/13	X.Codina	New Templates
04	22/01/13	I.Pozo	Drawing Updated
03	01/03/10	M.Freixes	Change definitions of numbers
02	29/09/09	M.Freixes	Update to new standards

Remarks Dimensions in mm. General Tolerances +/- 10mm			<b>SPARE DRAWING</b>		
Drawn	25-05-09	M.Baraut		Part Number	45215
Checked	25-05-09	A.Deu		Rev.	06
Scale	1:20				
Sheet	3/3				
General Tolerance DIN 7168 ISO 2768g					