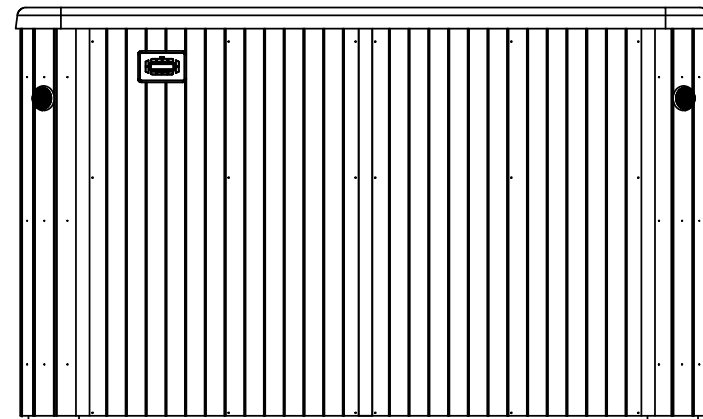
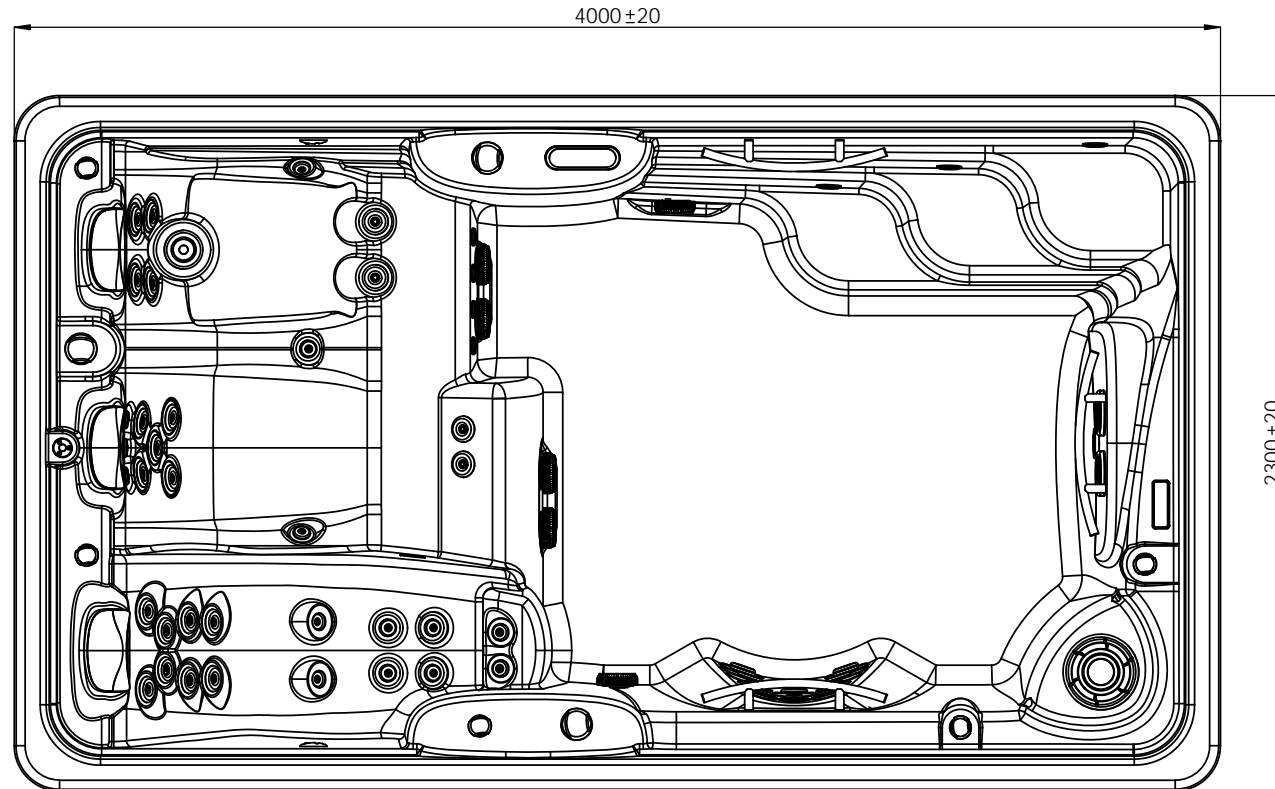
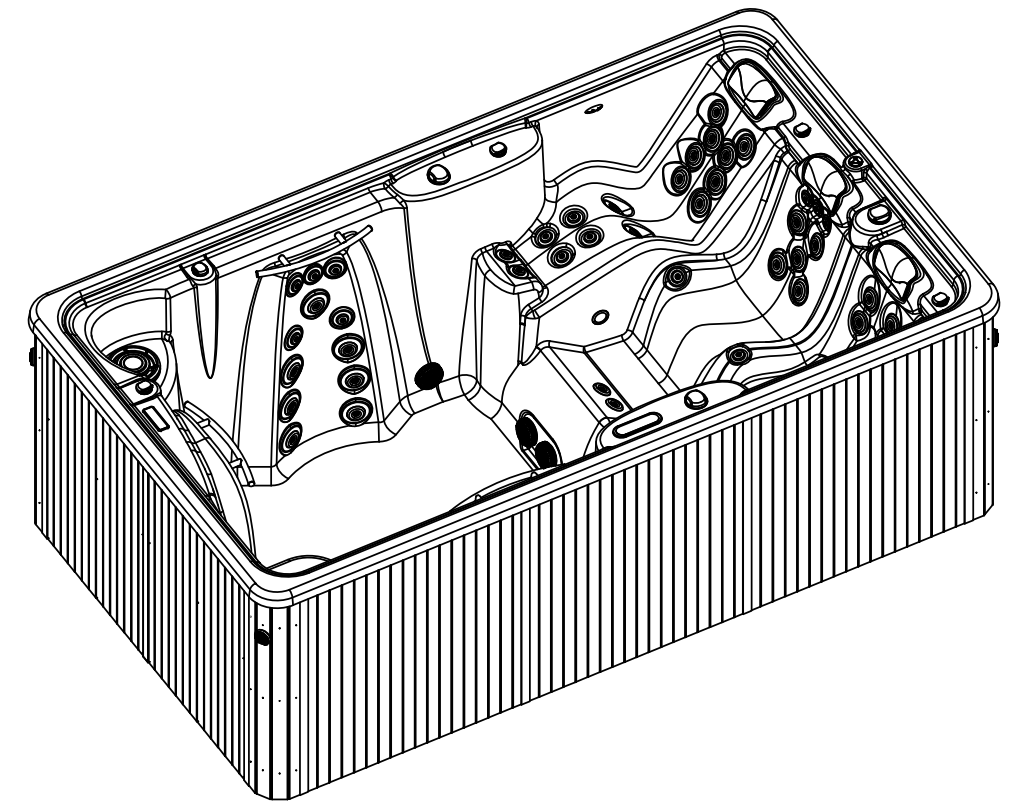


ELECTRICAL BOARD CONNECTIONS ACCESS

DRAIN



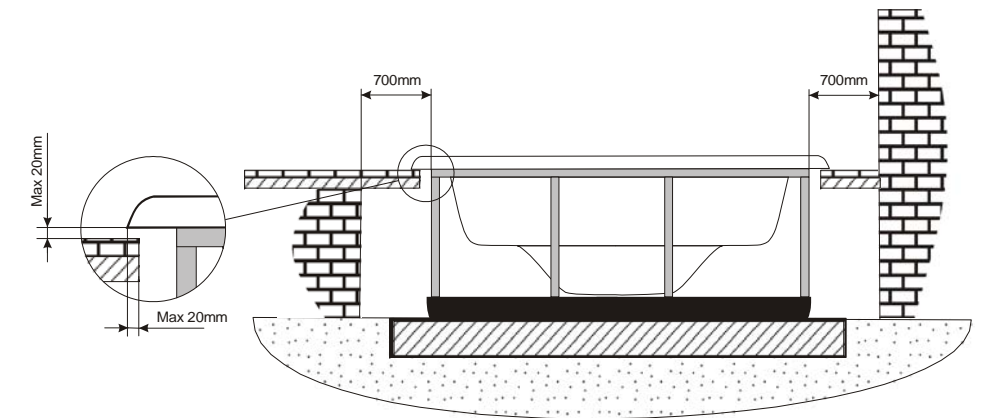
VISTA A




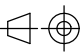
**Inground option**

**WARNING:**

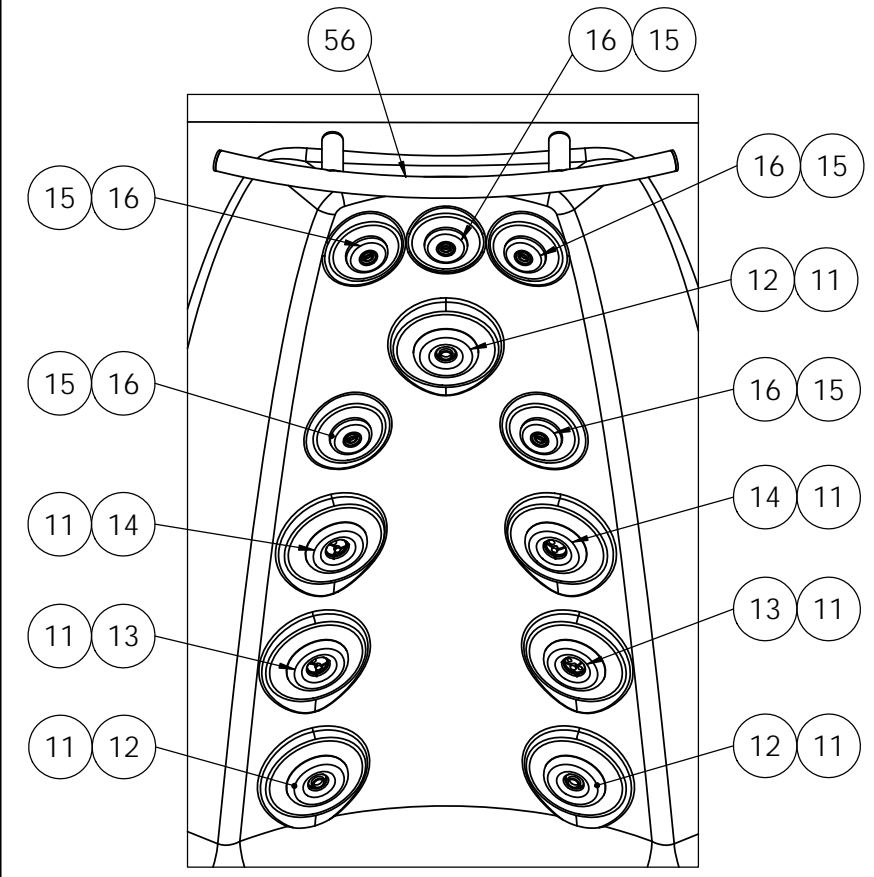
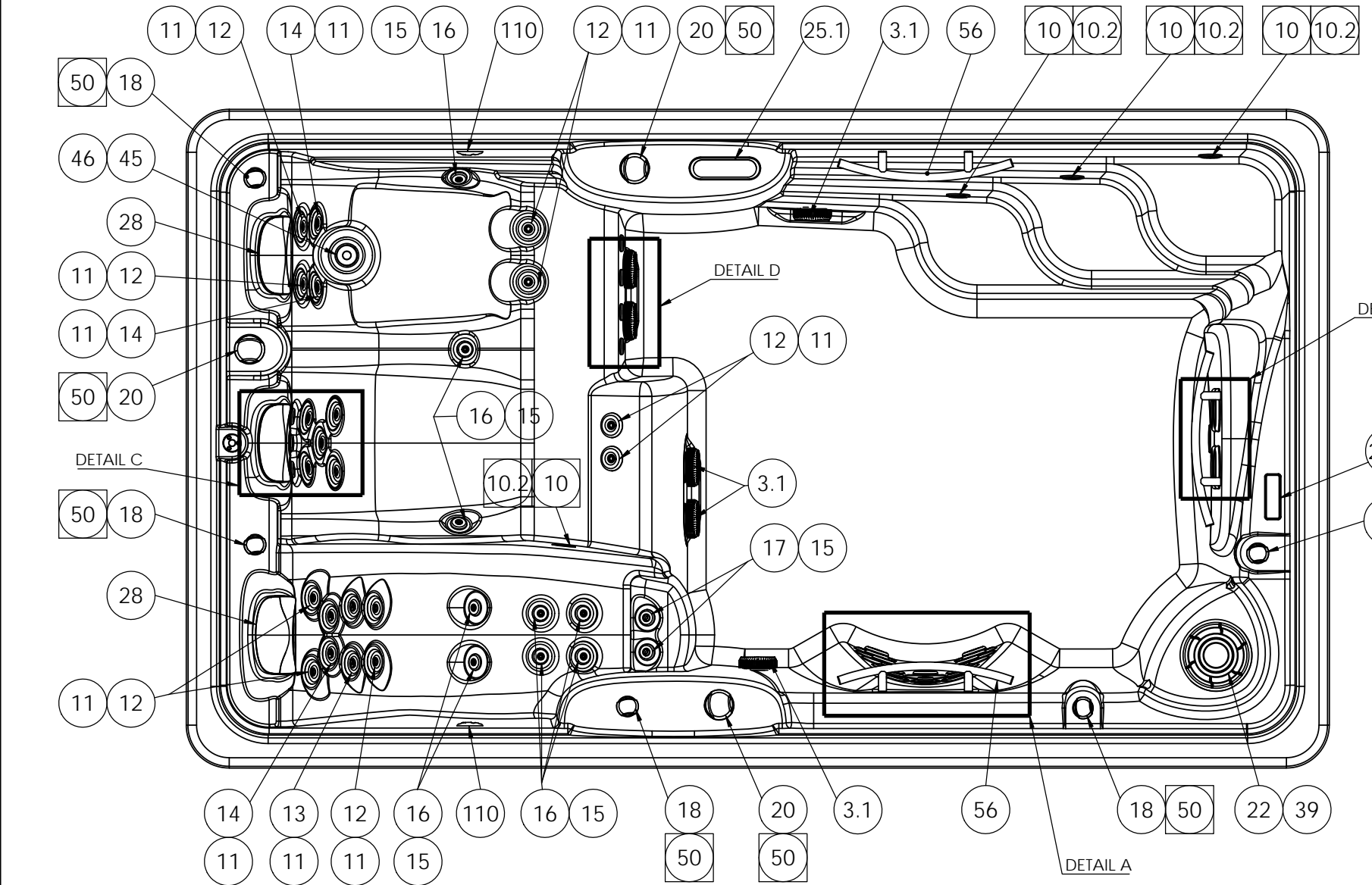
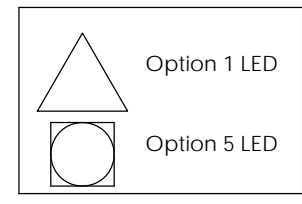
It's essential to keep a minimum clearance access of **700mm** all around.



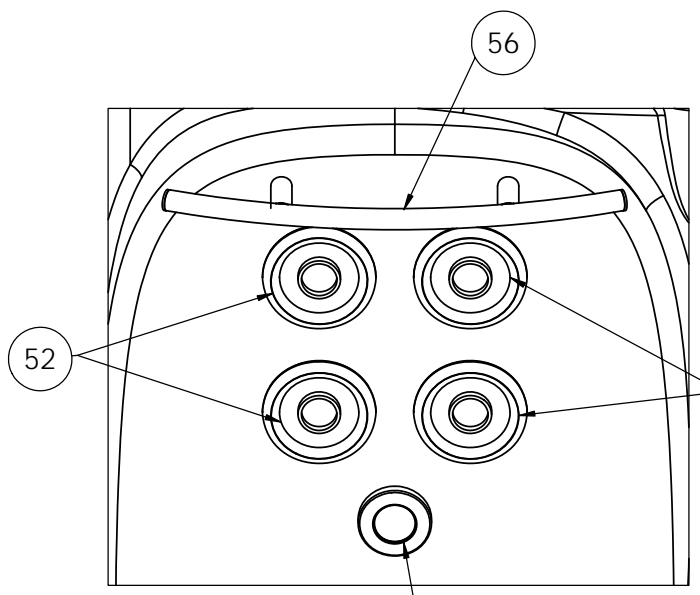
According to our policy of continuous improvement, dimensions, features or components of this product can be partially or completely changed without prior notice. It's Customer responsibility to verify that this is the last version of the drawing

| 01  | 19/12/2016         | I.Pozo      | Add Spare   |   |
|---|--------------------|-------------|---|---|
| 00  | 06/12/2016         | I.Pozo      | Creation  |   |
| Change No.                                    | Date               | Name        | Modification  |   |
| Remarks                                       |                    |             |   |   |
| Dimensions in mm. General Tolerances +/- 10mm |                    |             |   |   |
| Drawn   | 13/09/2016         | I.Pozo      |  |   |
| Checked                                       | 06/12/2016         | V.Saiz      |   |   |
| Scale 1:25                                    | General Tolerance  |             |   |   |
| Sheet 1/3                                     | DIN 7168 ISO 2768g |             |   |   |
|   |                    |             | COMMERCIAL  |   |
|   |                    | Part Number | Rev.  | First Angle Projection  |
|   |                    | 67203       | 01  |  |

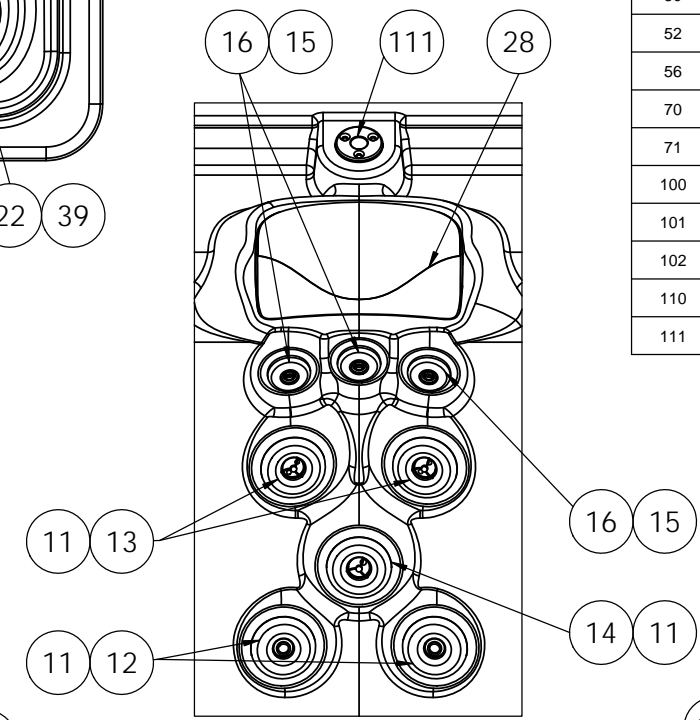
| ACCESSORIES   |              |  |        |
|---------------|--------------|--|--------|
| Position Num. | PartNo SPARE | Description SPARE  | Quant. |
| 3.1           | RPOR0166     | SUPER HI-FLO SUCTION 2" GREY                                       | 6      |
| 10            | RPOR0239     | SPOTLIGHT LED SET RD   | 5      |
| 10.2          | RPOR0252     | LED SLAVE LIGHT  | 5      |
| 10A           | RCOM0063     | HIGH INTENSITY COLOURS LED SPOTLIGHTS + STEEL ESCUTCHEON SPOTLIGHT | 1      |
| 11            | RPOR0236     | JET BODY SET RD 3"   | 28     |
| 12            | RPOR0231     | FRONTAL JET 3" STAINLESS STEEL DIRECTIONAL                         | 15     |
| 13            | RPOR0233     | FRONTAL JET 3" STAINLESS STEEL TWIN ROTO                           | 6      |
| 14            | RPOR0232     | FRONTAL JET 3" STAINLESS STEEL 1 JET ROTO                          | 7      |
| 15            | RPOR0235     | JET BODY SET RD 2"   | 23     |
| 16            | RPOR0230     | FRONTAL JET 2" STAINLESS STEEL DIRECTIONAL                         | 21     |
| 17            | RPOR0260     | JET TWIN ROTO 2" INOX  | 2      |
| 18            | RPOR0261     | VENTURY CONTROLLER SS  | 5      |
| 20            | RPOR0262     | 3 WAYS SS VALVE 2"   | 3      |
| 22            | RPOR0174     | SKIMMER SWIMSPA  | 1      |
| 25.1          | RPOR0290     | DIGITAL PANEL VL700+COVER 3 PUMPS                                  | 1      |
| 25.2          | RPOR0219     | AUXILIARY PANEL VL700  | 1      |
| 25.3          | RPOR0203     | COVER AUXILIARY PANEL VL700  | 1      |
| 28            | RPOR0032     | SMALL HEADREST GREY  | 3      |
| 39            | RPOR0175     | SWIMSPA CARTDRIGE FILTER   | 1      |
| 45            | RPOR0234     | FRONTAL JET 5" STAINLESS STEEL DIRECTIONAL                         | 1      |
| 46            | RPOR0237     | JET BODY SET RD 5"   | 1      |
| 50            | RPOR0267     | 4 LEDS LIGHTS POINTS   | 8      |
| 52            | RPOR0282     | SWIM JET STAINLESS STEEL   | 4      |
| 56            | RPOR0250     | SPECIAL HANDGRIP SPA 600   | 3      |
| 70            | RPOR0280     | LEDS TRANSFORMER 5V DC   | 1      |
| 71            | RPOR0281     | LEDS CONTROLLER  | 1      |
| 100           | RPOR0314     | AQUATIC GRILL BLACK SPEAKER 2"                                     | 4      |
| 101           | RPOR0320     | MINISPEAKER BLACK 2"   | 4      |
| 102           | RPOR0326     | INFINITY BLUETOOTH SYSTEM  | 1      |
| 110           | RPOR041      | FASTENING ROWING SET   | 2      |
| 111           | RPOR042      | FASTENING SWIMM SET  | 1      |



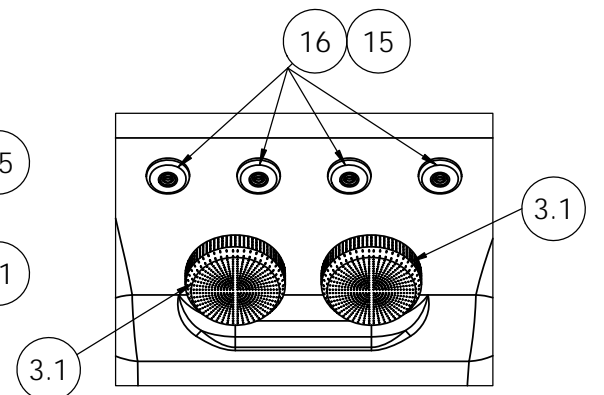
A (1 : 10)



B (1 : 10)



C (1 : 10)



D (1 : 10)

According to our policy of continuous improvement, dimensions, features or components of this product can be partially or completely changed without prior notice. It's Customer responsibility to verify that this is the last version of the drawing

| Change No. | Date       | Name   | Modification |
|------------|------------|--------|--------------|
| 01         | 19/12/2016 | I.Pozo | Add Spare    |
| 00         | 06/12/2016 | I.Pozo | Creation     |

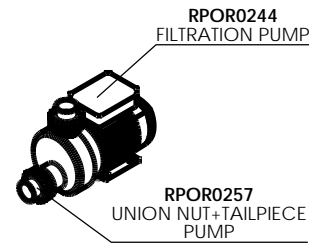
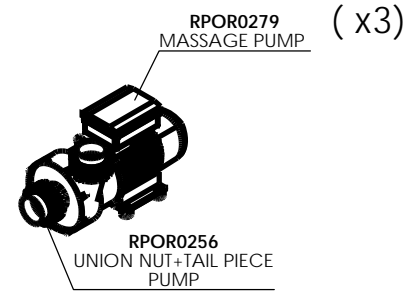
|   |            |   |                             |
|---|------------|---|-----------------------------|
| Remarks                                       |            | SPARE PARTS DRAWING                     |                             |
| Dimensions in mm. General Tolerances +/- 10mm |            |   |                             |
| Drawn   | 13/09/2016 | I.Pozo                                  | Part Number<br><b>67203</b> |
| Checked                                       | 06/12/2016 | V.Saiz                                  |                             |
| Scale   | 1:20       | General Tolerance<br>DIN 7168 ISO 2768g | Rev.<br><b>01</b>           |
| Sheet   | 2/3        |   | First Angle<br>Projection   |

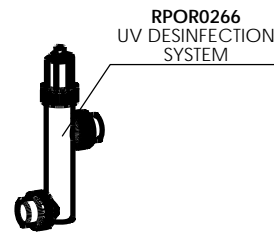
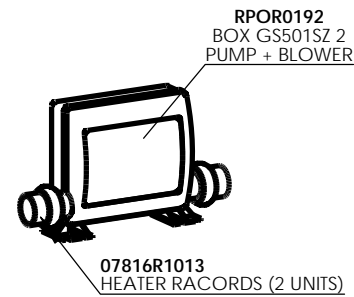
Property of IBERSPA S.L. Avda. Pla d'Urgell 2-8 25200 Cervera, Spain. Don't use without permission. Keep this information confidential and use it solely for the permitted purpose.



**PUMPS SPARE CODES**



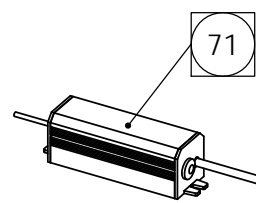
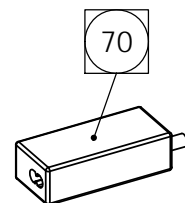
**HEATER AND DESINFECTATION SPARE CODES**



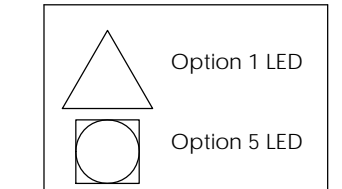
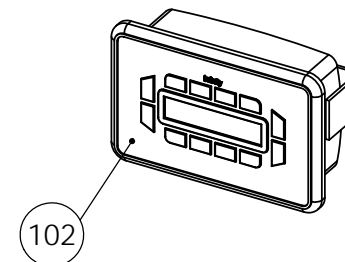
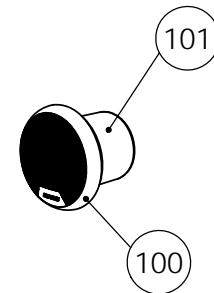
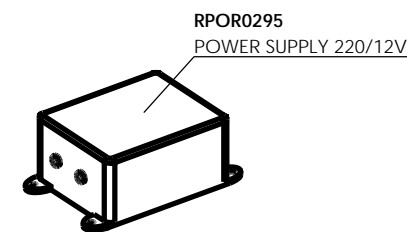
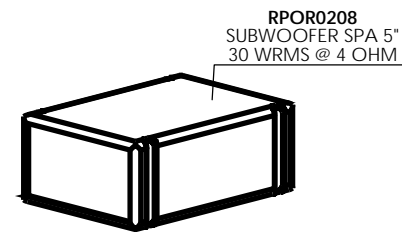
RPOR0101 - TEMPERATURE PROBES GS I GL (x 2)  
 RPOR0105 - HEATER 3 KW GS I GL  
 RPOR0197 - DIGITAL PANEL GS501SZ  
 RPOR0193 - EXPANDER BOARD KIT FOR SISTEM GS501SZ

**LIGHT COMPONENTS SPARE CODES**

(Only Option 5 LED)


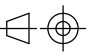


**AUDIO SPARE CODES**



| ACCESSORIES   |              |  |        |
|---------------|--------------|--|--------|
| Position Num. | PartNo SPARE | Description SPARE  | Quant. |
| 3.1           | RPOR0166     | SUPER HI-FLO SUCTION 2" GREY                                       | 6      |
| 10            | RPOR0239     | SPOTLIGHT LED SET RD   | 5      |
| 10.2          | RPOR0252     | LED SLAVE LIGHT  | 5      |
| 10A           | RCOM0063     | HIGH INTENSITY COLOURS LED SPOTLIGHTS + STEEL ESCUTCHEON SPOTLIGHT | 1      |
| 11            | RPOR0236     | JET BODY SET RD 3"   | 28     |
| 12            | RPOR0231     | FRONTAL JET 3" STAINLESS STEEL DIRECTIONAL                         | 15     |
| 13            | RPOR0233     | FRONTAL JET 3" STAINLESS STEEL TWIN ROTO                           | 6      |
| 14            | RPOR0232     | FRONTAL JET 3" STAINLESS STEEL 1 JET ROTO                          | 7      |
| 15            | RPOR0235     | JET BODY SET RD 2"   | 23     |
| 16            | RPOR0230     | FRONTAL JET 2" STAINLESS STEEL DIRECTIONAL                         | 21     |
| 17            | RPOR0260     | JET TWIN ROTO 2" INOX  | 2      |
| 18            | RPOR0261     | VENTURY CONTROLLER SS  | 5      |
| 20            | RPOR0262     | 3 WAYS SS VALVE 2"   | 3      |
| 22            | RPOR0174     | SKIMMER SWIMSPA  | 1      |
| 25.1          | RPOR0290     | DIGITAL PANEL VL700+COVER 3 PUMPS                                  | 1      |
| 25.2          | RPOR0219     | AUXILIARY PANEL VL700  | 1      |
| 25.3          | RPOR0203     | COVER AUXILIARY PANEL VL700  | 1      |
| 28            | RPOR0032     | SMALL HEADREST GREY  | 3      |
| 39            | RPOR0175     | SWIMSPA CARTDRIGE FILTER   | 1      |
| 45            | RPOR0234     | FRONTAL JET 5" STAINLESS STEEL DIRECTIONAL                         | 1      |
| 46            | RPOR0237     | JET BODY SET RD 5"   | 1      |
| 50            | RPOR0267     | 4 LEDS LIGHTS POINTS   | 8      |
| 52            | RPOR0282     | SWIM JET STAINLESS STEEL   | 4      |
| 56            | RPOR0250     | SPECIAL HANDGRIP SPA 600   | 3      |
| 70            | RPOR0280     | LEDS TRANSFORMER 5V DC   | 1      |
| 71            | RPOR0281     | LEDS CONTROLER   | 1      |
| 100           | RPOR0314     | AQUATIC GRILL BLACK SPEAKER 2"                                     | 4      |
| 101           | RPOR0320     | MINISPEAKER BLACK 2"   | 4      |
| 102           | RPOR0326     | INFINITY BLUETOOTH SYSTEM  | 1      |
| 110           | RPOR041      | FASTENING ROWING SET   | 2      |
| 111           | RPOR042      | FASTENING SWIMM SET  | 1      |

According to our policy of continuous improvement, dimensions, features or components of this product can be partially or completely changed without prior notice. It's Customer responsibility to verify that this is the last version of the drawing

| 01  | 19/12/2016                           | I.Pozo   | Add Spare  |
|---|--------------------------------------|--|--|
| 00  | 06/12/2016                           | I.Pozo   | Creation   |
| Change No.  | Date                                 | Name   | Modification   |
| Remarks   |                                      |  |  |
| Dimensions in mm. General Tolerances +/- 10mm   |                                      |  |  |
| Drawn   | 13/09/2016                           | I.Pozo   | <div style="text-align: center;">  </div> |
| Checked   | 06/12/2016                           | V.Saiz   |  |
| Scale 1:15  | General Tolerance DIN 7168 ISO 2768g |  |  |
| Sheet 3/3   |                                      |  |  |
|   |                                      | <b>SPARE PARTS DRAWING</b>   |  |
|   |                                      | Part Number  | Rev.   |
|   |                                      | 67203  | 01   |
|   |                                      | First Angle Projection  |  |
| Property of IBERSPA S.L. Avda. Pla d'Urgell 2-8 25200 Cervera, Spain. Don't use without permission. Keep this information confidential and use it solely for the permitted purpose. |                                      |  |  |